

PARTS CATALOG



LIVE IT. LOVE IT. RIDE IT

It's not just a scooter, it's a way of life.

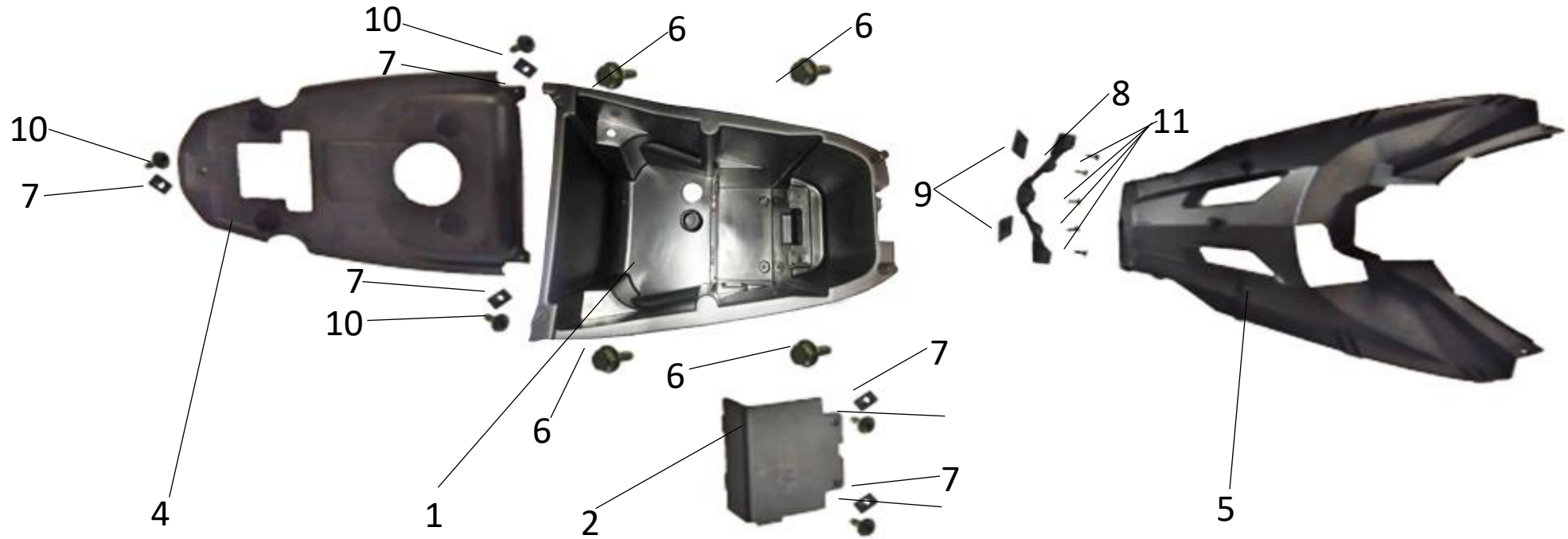
ES125

F01 MIRROR ASSY



POSITION NO.	CODE	EN DESCRIPTION	QTY/ UNIT	REMARKS
F01-01	ES125-01.01	LEFT MIRROR	1	
F01-02	ES125-01.02	RIGHT MIRROR	1	

F02 LUGGAGE BOX



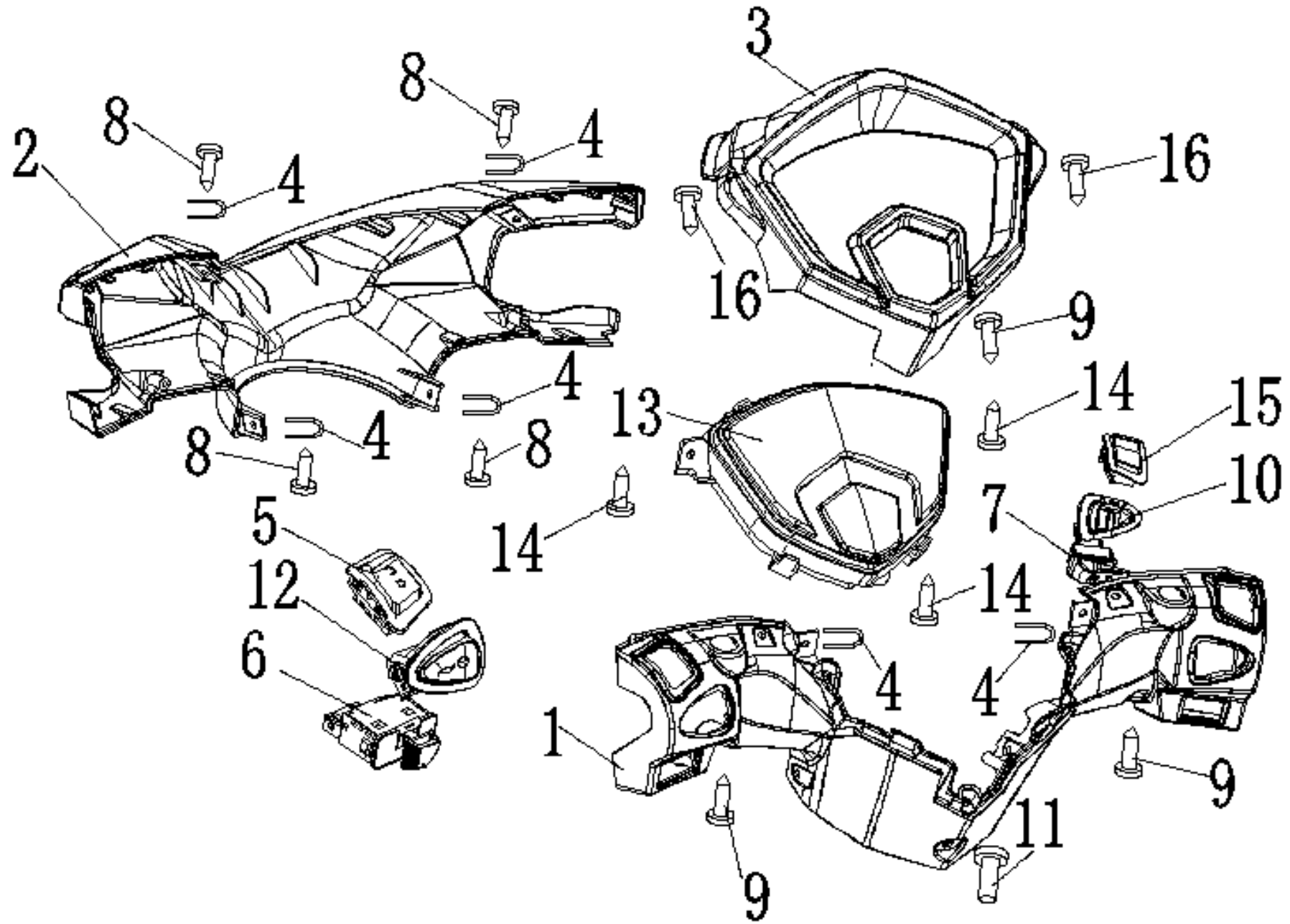
POSITION NO.	CODE	EN DESCRIPTION	QTY/ UNIT	REMARKS
F02-01	ES125-02.01	LUGGAGE BOX	1	
F02-02	ES125-02.02	BATTERY COVER	1	
F02-03	01114801671	SCREW 4.8X16	2	
F02-04	ES125-02.03	UPPER COVER	1	
F02-05	ES125-02.04	FRONT COVER,SEAT	1	
F02-06	00110601671	BOLT M6X16	4	
F02-07	02110000071	SLIP ST4.2	5	
F02-08	ES125-02.06	SMALL COVER FIXED BRACKET	1	
F02-09	ES125-02.07	VENTILATION GRILLE CAP	2	
F02-10	01114201671	SCREW 4.2X16	3	
F02-11	01114201271	SCREW 4.2X12	5	
F02-12	ES125-02.08	RUBBER PLUG, LUGGAGE BOX	1	

F03 SEAT ASSY.



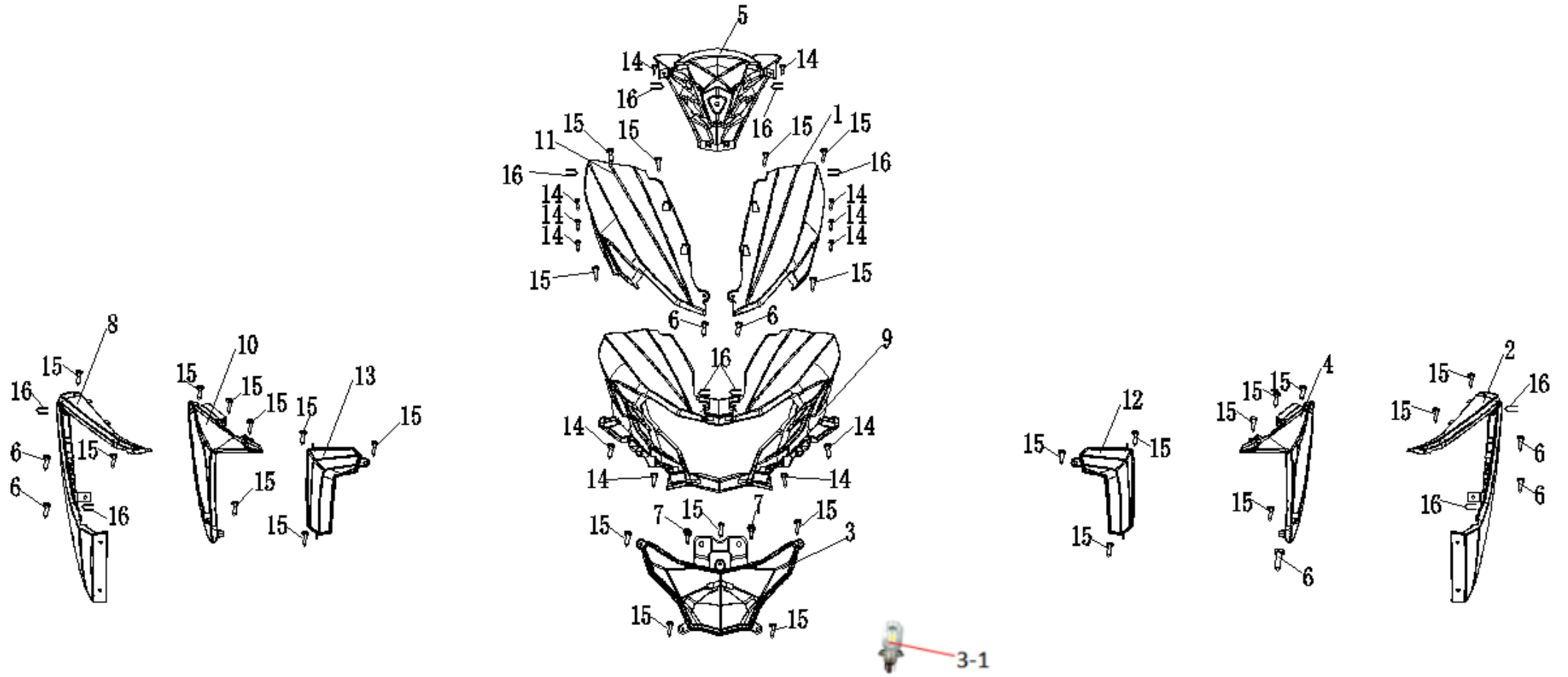
POSITION NO.	CODE	EN DESCRIPTION	QTY/ UNIT	REMARKS
F03-01	ES125-03.01	SEAT WITH SEAT SPIKE	1	
F03-02	ES125-03.02	SEAT SPIKE	1	
F03-03	00710600073	NUT M6	1	

F04 SPEEDOMETER



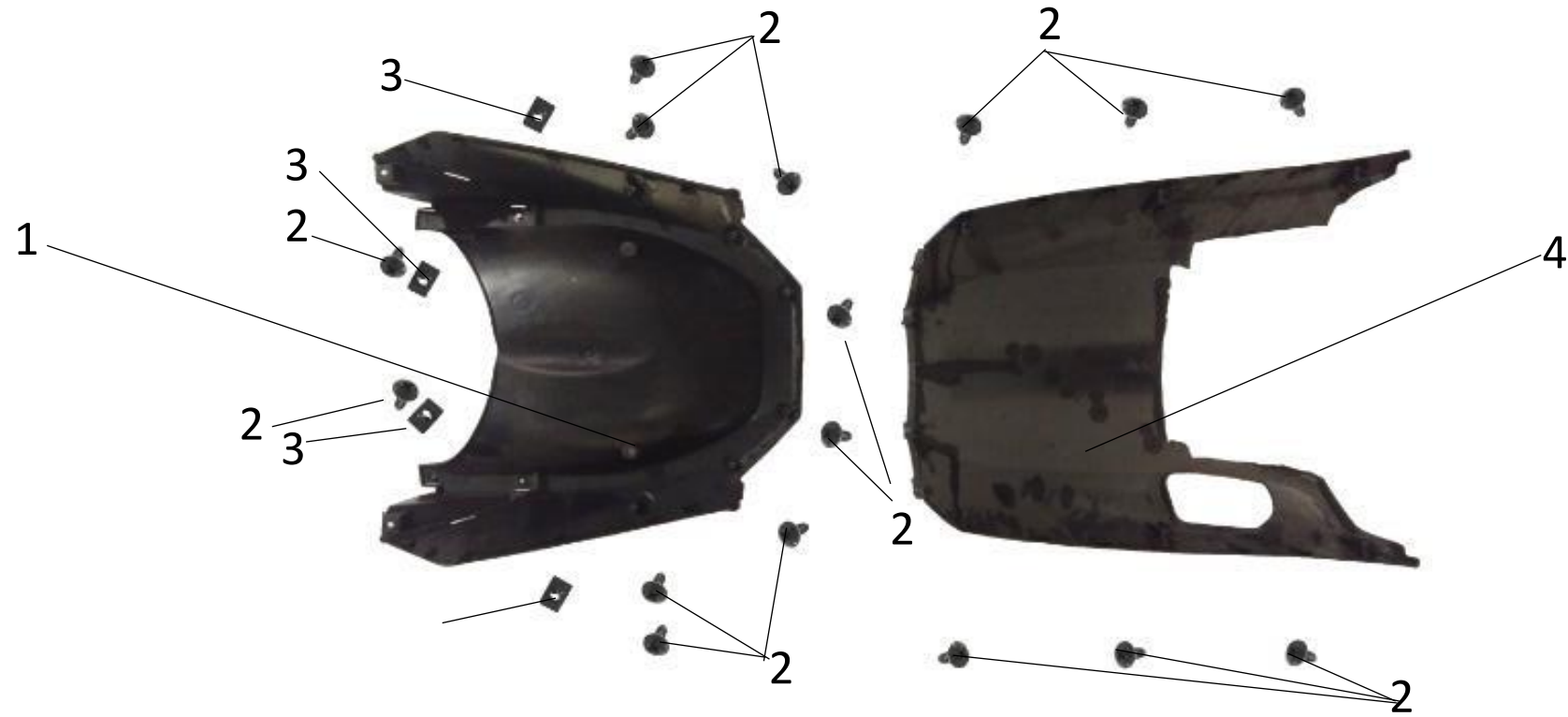
POSITION NO.	CODE	EN DESCRIPTION	QTY/ UNIT	REMARKS
F04-01	ES125-04.01	REAR COVER, SPEEDOMETER	1	
F04-01	ES125-04.01.01	REAR COVER, SPEEDOMETER (WITHOUT FLAMEOUT SWITCH)	1	start vin PRSWS12CBNA017761
F04-02	ES125-04.02.01	WIND COVER(BLACK)	1	WITHOUT STICKER
F04-02	ES125-04.02.02	WIND COVER(RED)	1	WITHOUT STICKER
F04-02	ES125-04.02.03	WIND COVER(GREY)	1	WITHOUT STICKER
F04-02	ES125-04.02.04	WIND COVER(GREEN TORQOISE)	1	WITHOUT STICKER
F04-03	ES125-04.03	SPEEDOMETER COVER(BLACK)	1	
F04-04	02110000071	SLIP ST4.2	6	
F04-05	ES125-04.05	DIMMER SWITCH	1	
F04-06	ES125-04.06	TURNING LIGHT SWITCH	1	
F04-07	ES125-04.07	START SWITCH	1	
F04-08	01114801671	SCREW 4.8X16	4	
F04-09	01114201271	SCREW 4.2X12	3	
F04-10	ES125-04.08	HEADLIGHT SWITCH	1	
F04-11	00310601671	SCREW M6X16	1	
F04-12	ES125-04.09	HORN SWITCH	1	
F04-13	ES125-04.14	SPEEDOMETER	1	
F04-14	01114201671	SCREW 4.2X16	3	
F04-15	ES125-04.15	FLAMEOUT SWITCH	1	
F04-16	01114801271	SCREW 4.8X12	2	

F05 HEADLIGHT



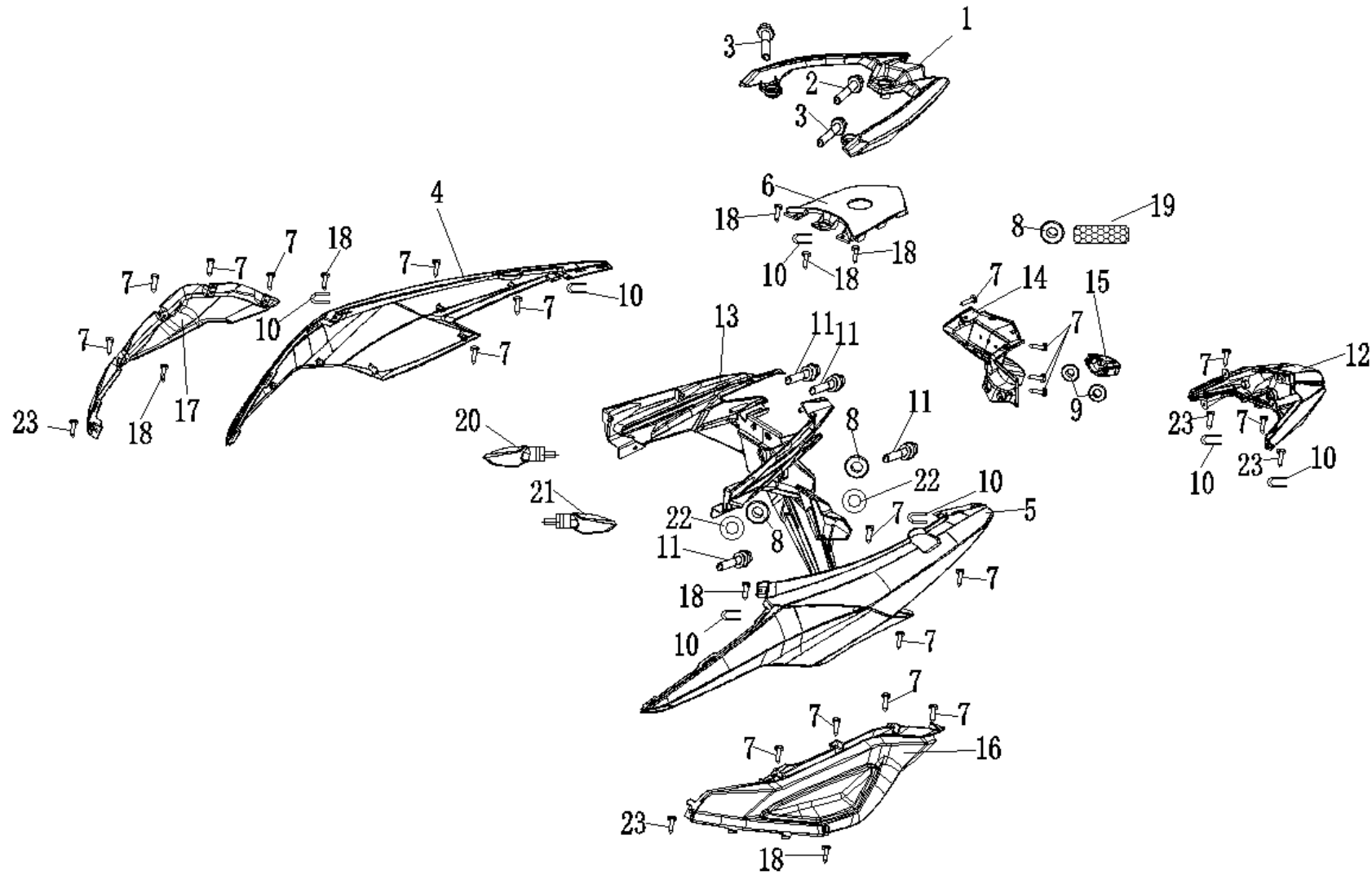
POSITION NO.	CODE	EN DESCRIPTION	QTY/ UNIT	REMARKS
F05-01	ES125-05.01.01	FRONT LEFT COVER PLATE(BLACK)	1	WITHOUT STICKER
F05-01	ES125-05.01.02	FRONT LEFT COVER PLATE(RED)	1	WITHOUT STICKER
F05-01	ES125-05.01.03	FRONT LEFT COVER PLATE(GREY)	1	WITHOUT STICKER
F05-01	ES125-05.01.04	FRONT LEFT COVER PLATE(GREEN TORQOISE)	1	WITHOUT STICKER
F05-02	ES125-05.02.01	FRONT LEFT LATERAL PLATE(BLACK)	1	WITHOUT STICKER
F05-02	ES125-05.02.02	FRONT LEFT LATERAL PLATE(RED)	1	WITHOUT STICKER
F05-02	ES125-05.02.03	FRONT LEFT LATERAL PLATE(GREY)	1	WITHOUT STICKER
F05-02	ES125-05.02.04	FRONT LEFT LATERAL PLATE(GREEN TORQOISE)	1	WITHOUT STICKER
F05-03	ES125-05.03	HEADLIGHT ASSY.	1	
F05-03-1	ES125-05.03.01	HEADLIGHT BULB	1	
F05-04	ES125-05.04	FRONT LEFT SIDE PANEL TRIM	1	
F05-05	ES125-05.05	FRONT COVER (BLACK)	1	
F05-06	01114801671	SCREW 4.8X16	6	
F05-07	00310601679	BOLT M6X16	2	
F05-08	ES125-05.06.01	FRONT RIGHT LATERAL PLATE(BLACK)	1	WITHOUT STICKER
F05-08	ES125-05.06.02	FRONT RIGHT LATERAL PLATE(RED)	1	WITHOUT STICKER
F05-08	ES125-05.06.03	FRONT RIGHT LATERAL PLATE(GREY)	1	WITHOUT STICKER
F05-08	ES125-05.06.04	FRONT RIGHT LATERAL PLATE(GREEN TORQOISE)	1	WITHOUT STICKER
F05-09	ES125-05.07	HEADLIGHT FRAME	1	
F05-10	ES125-05.08	FRONT RIGHT SIDE PANEL TRIM	1	
F05-11	ES125-05.09.01	FRONT RIGHT COVER PLATE(BLACK)	1	WITHOUT STICKER
F05-11	ES125-05.09.02	FRONT RIGHT COVER PLATE(RED)	1	WITHOUT STICKER
F05-11	ES125-05.09.03	FRONT RIGHT COVER PLATE(GREY)	1	WITHOUT STICKER
F05-11	ES125-05.09.04	FRONT RIGHT COVER PLATE(GREEN TORQOISE)	1	WITHOUT STICKER
F05-12	ES125-05.10	LEFT,FRONT TURNING LIGHT	1	
F05-13	ES125-05.11	RIGHT,FRONT TURNING LIGHT	1	
F05-14	01114201671	SCREW 4.2X16	12	
F05-15	01114201271	SCREW 4.2X12	29	
F05-16	02110000071	SLIP ST4.2	10	

F06 FRAME COVER



POSITION NO.	CODE	CN DESCRIPTION	EN DESCRIPTION	QTY/ UNIT	REMARKS
F06-01	ES125-06.01	前下盖	FRONT AND LOWER COVER	1	
F06-02	01114201271	GB/T845 自攻螺钉	SCREW 4.2X12	16	
F06-03	02110000071	QC/T339 卡片 ST4.2	SLIP ST4.2	4	
F06-04	ES125-06.03	底泥板	BOTTOM MUD PLATE	1	

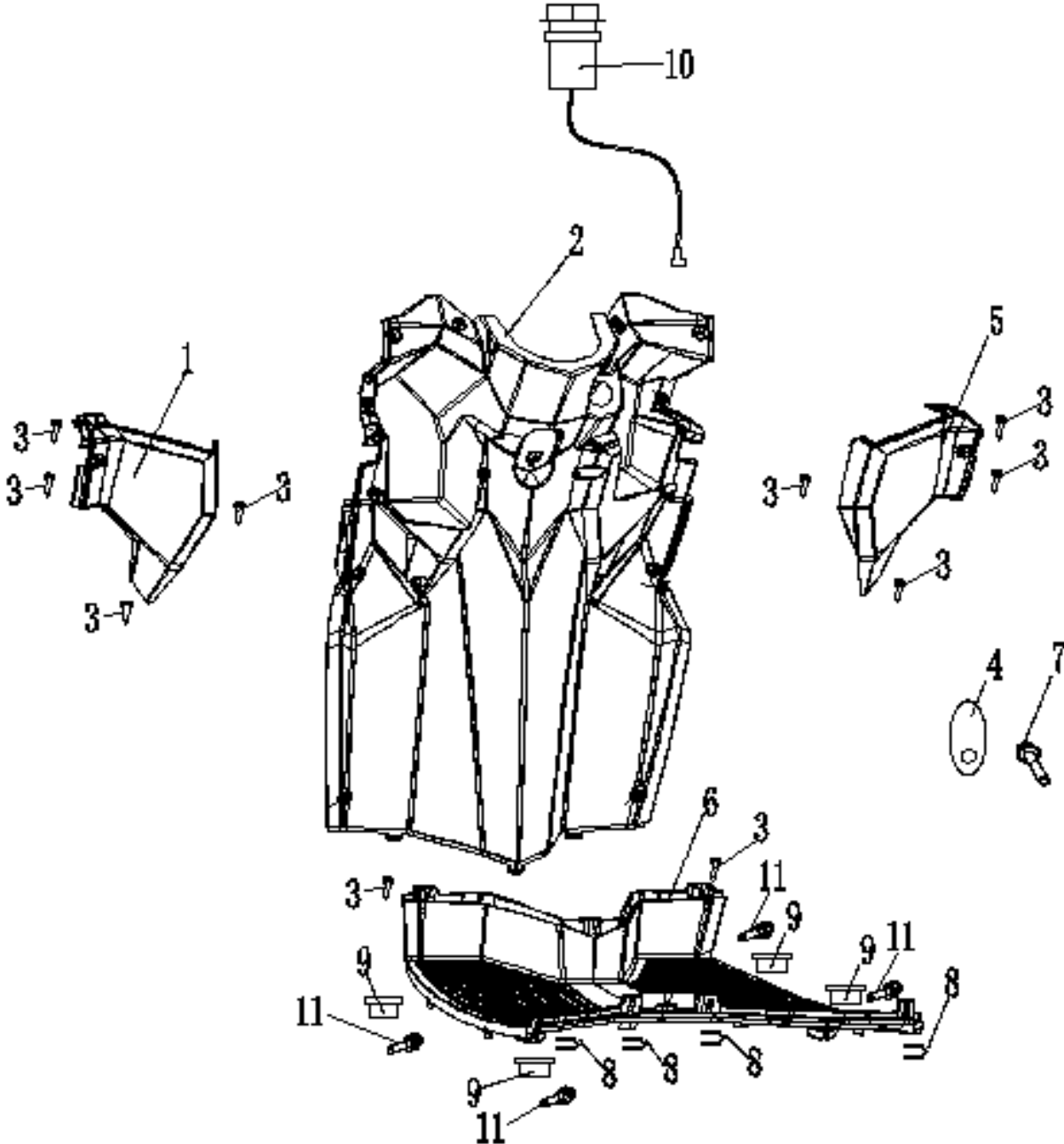
F07 TAILLIGHT ASSY



POSITION NO.	CODE	EN DESCRIPTION	QTY/ UNIT	REMARKS
F07-01	ES125-07.01.01	REAR ARMREST(BLACK)	1	
F07-01	ES125-07.01.02	REAR ARMREST(ORANGE)	1	
F07-02	00310803574	BOLT M8X35	1	
F07-03	00310802074	BOLT M8X20	2	

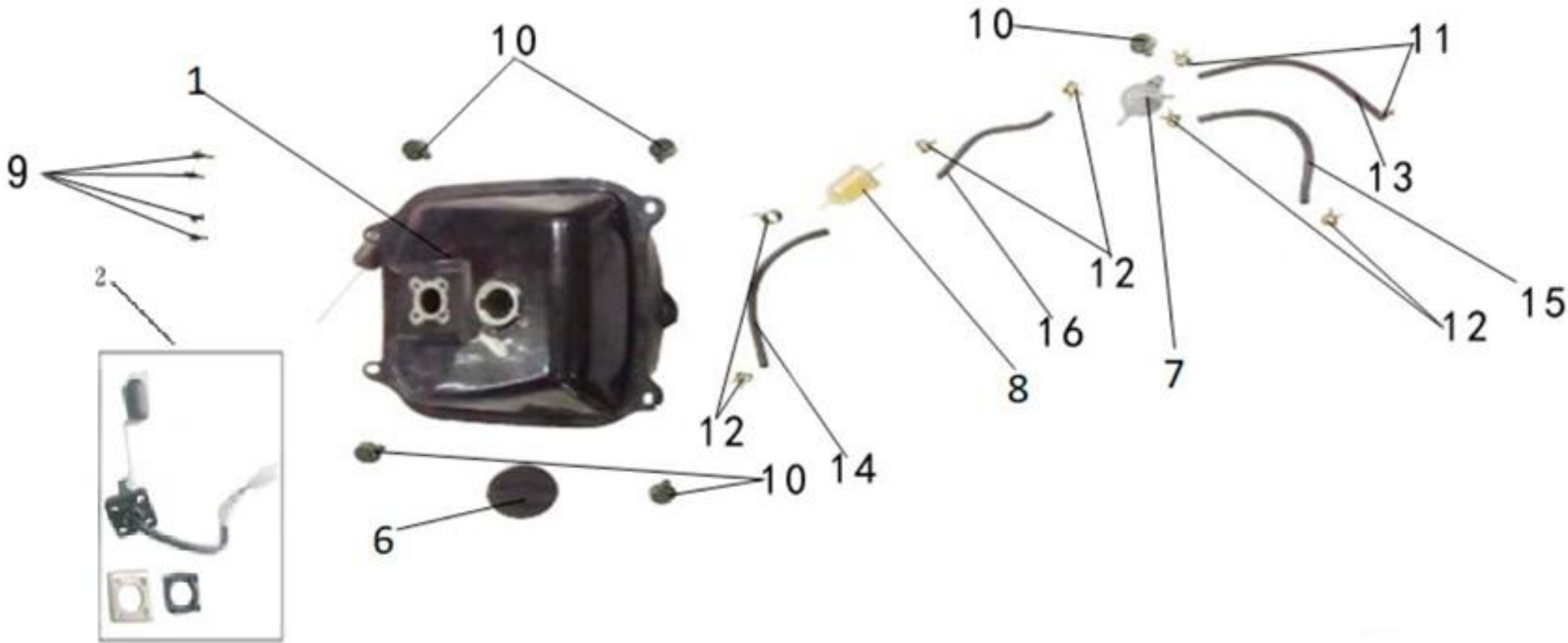
POSITION NO.	CODE	EN DESCRIPTION	QTY/ UNIT	REMARKS
F07-04	ES125-07.02.01	RIGHT COVER(BLACK)	1	WITHOUT STICKER
F07-04	ES125-07.02.02	RIGHT COVER(RED)	1	WITHOUT STICKER
F07-04	ES125-07.02.03	RIGHT COVER(GREY)	1	WITHOUT STICKER
F07-04	ES125-07.02.04	RIGHT COVER(GREEN TORQOISE)	1	WITHOUT STICKER
F07-05	ES125-07.03.01	LEFT COVER(BLACK)	1	WITHOUT STICKER
F07-05	ES125-07.03.02	LEFT COVER(RED)	1	WITHOUT STICKER
F07-05	ES125-07.03.03	LEFT COVER(GREY)	1	WITHOUT STICKER
F07-05	ES125-07.03.04	LEFT COVER(GREEN TORQOISE)	1	WITHOUT STICKER
F07-06	ES125-07.04.01	POSTERIOR CENTRAL COVER(BLACK)	1	
F07-06	ES125-07.04.02	POSTERIOR CENTRAL COVER(RED)	1	
F07-06	ES125-07.04.03	POSTERIOR CENTRAL COVER(GREY)	1	
F07-06	ES125-07.04.04	POSTERIOR CENTRAL COVER(GREEN TORQOISE)	1	
F07-07	01114201271	SCREW 4.2X12	20	
F07-08	00710600073	NUT M6	3	
F07-09	00710500073	HEXAGON FLANGE NUTS M5	2	
F07-10	02110000071	SLIP ST4.2	7	
F07-11	00310601679	BOLT M6X16	4	
F07-12	ES125-07.06	REAR LIGHT	1	
F07-13	ES125-07.07	REAR FENDER	1	
F07-14	ES125-07.08	REAR LICENSE LAMP BRACKET	1	
F07-15	ES125-07.09	REAR LICENSE LAMP	1	
F07-16	ES125-07.10	LEFT TRIM PANEL FRONT	1	
F07-17	ES125-07.11	RIGHT TRIM PANEL FRONT	1	
F07-18	01114801671	SCREW 4.8X16	5	
F07-19	ES125-07.12	REAR REFLECTOR	1	
F07-20	ES125-07.13	REAR LEFT TURN LIGHT	1	
F07-21	ES125-07.14	REAR RIGHT TURN LIGHT	1	
F07-22	00910600071	FLAT WASHER	2	
F07-23	01114201671	SCREW 4.2X16	4	

F08 KNEEGUARD COVER AND FOOT PLATE



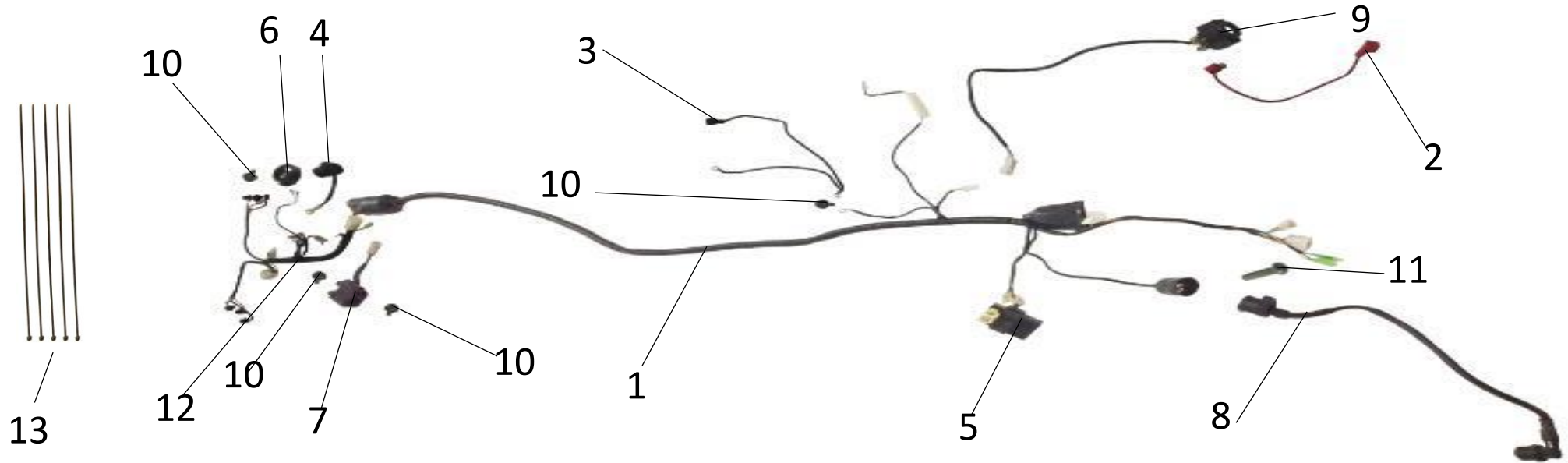
POSITION NO.	CODE	EN DESCRIPTION	QTY/ UNIT	REMARKS
F08-01	ES125-08.01.01	KNEE TRIM PANEL LEFT TRIM(BLACK)	1	
F08-01	ES125-08.01.02	KNEE TRIM PANEL LEFT TRIM(RED)	1	
F08-01	ES125-08.01.03	KNEE TRIM PANEL LEFT TRIM(GREY)	1	
F08-01	ES125-08.01.04	KNEE TRIM PANEL LEFT TRIM(GREEN TORQOISE)	1	
F08-02	ES125-08.02	KNEE BOLSTER	1	
F08-03	01114201271	SCREW 4.2X12	10	
F08-04	ES125-08.03	SAFETY HELMET HOOK	1	
F08-05	ES125-08.04.01	KNEE TRIM PANEL RIGHT TRIM (BLACK)	1	
F08-05	ES125-08.04.02	KNEE TRIM PANEL RIGHT TRIM(RED)	1	
F08-05	ES125-08.04.03	KNEE TRIM PANEL RIGHT TRIM(GREY)	1	
F08-05	ES125-08.04.04	KNEE TRIM PANEL RIGHT TRIM(GREEN TORQOISE)	1	
F08-06	ES125-08.05	FOOT PLATE	1	
F08-07	00110601671	BOLT M6X16	1	
F08-08	02110000071	SLIP ST4.2	4	
F08-09	ES125-08.07	RUBBER PLUG	4	
F08-10	ES125-08.08	USB CABLE	1	
F08-11	00310601679	BOLT M6X16	4	

F09 TANK



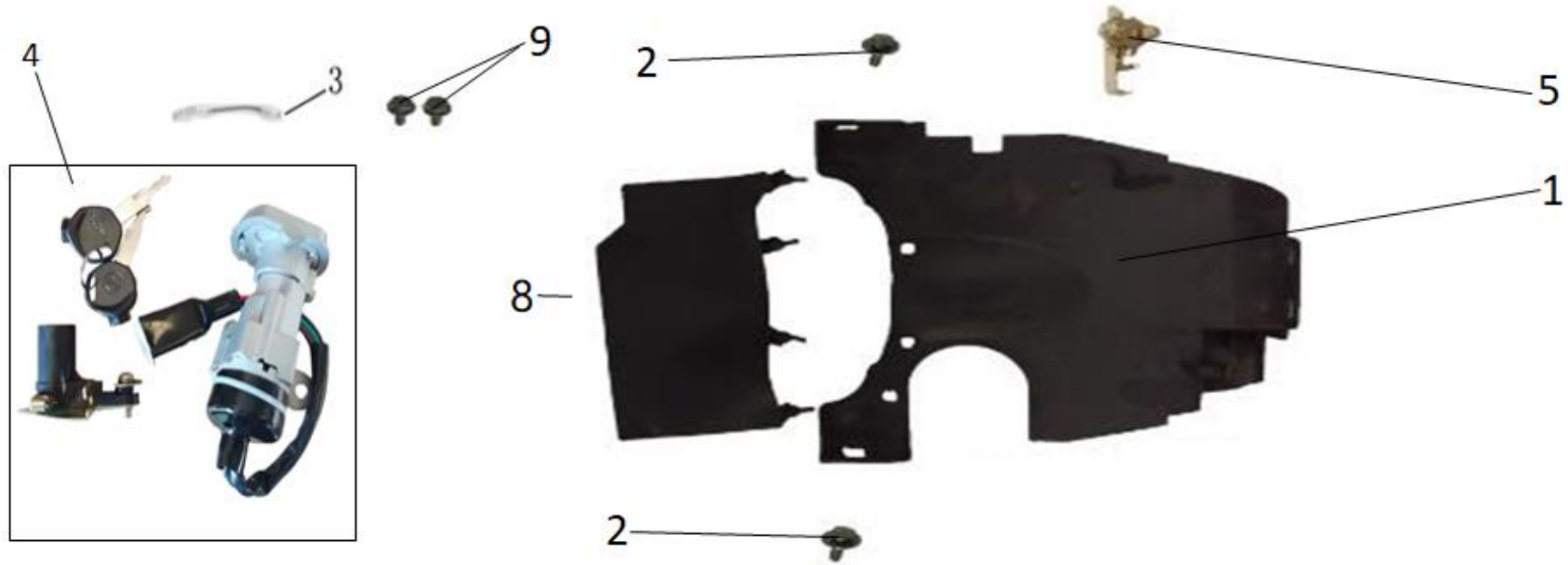
POSITION NO.	CODE	EN DESCRIPTION	QTY/ UNIT	REMARKS
F09-01	ES125-09.01	TANK	1	
F09-02	ES125-09.02	FUEL SENSOR ASSY.	1	INCLUDING FUEL SENSOR, CLIP PLATE, RUBBER GASKET
F09-06	ES125-09.06	TANK COVER	1	
F09-07	ES125-09.07	SWITCH	1	
F09-08	ES125-09.08	FUEL FILTER	1	
F09-09	00310501671	SCREW M6X16	4	
F09-10	00110601671	BOLT M6X16	5	
F09-11	02327600061	CLAMP ϕ 7.6	2	
F09-12	02328500061	CLAMP ϕ 8.5	6	
F09-13	PTL2200510	TUBING	1	
F09-14	PTS1750510	TUBING	1	
F09-15	ES125-09.12	TUBING ϕ 7.6* ϕ 4.5*250	1	
F09-16	PTS1350510	TUBING	1	

F10 WIRE HARNESS ASSY



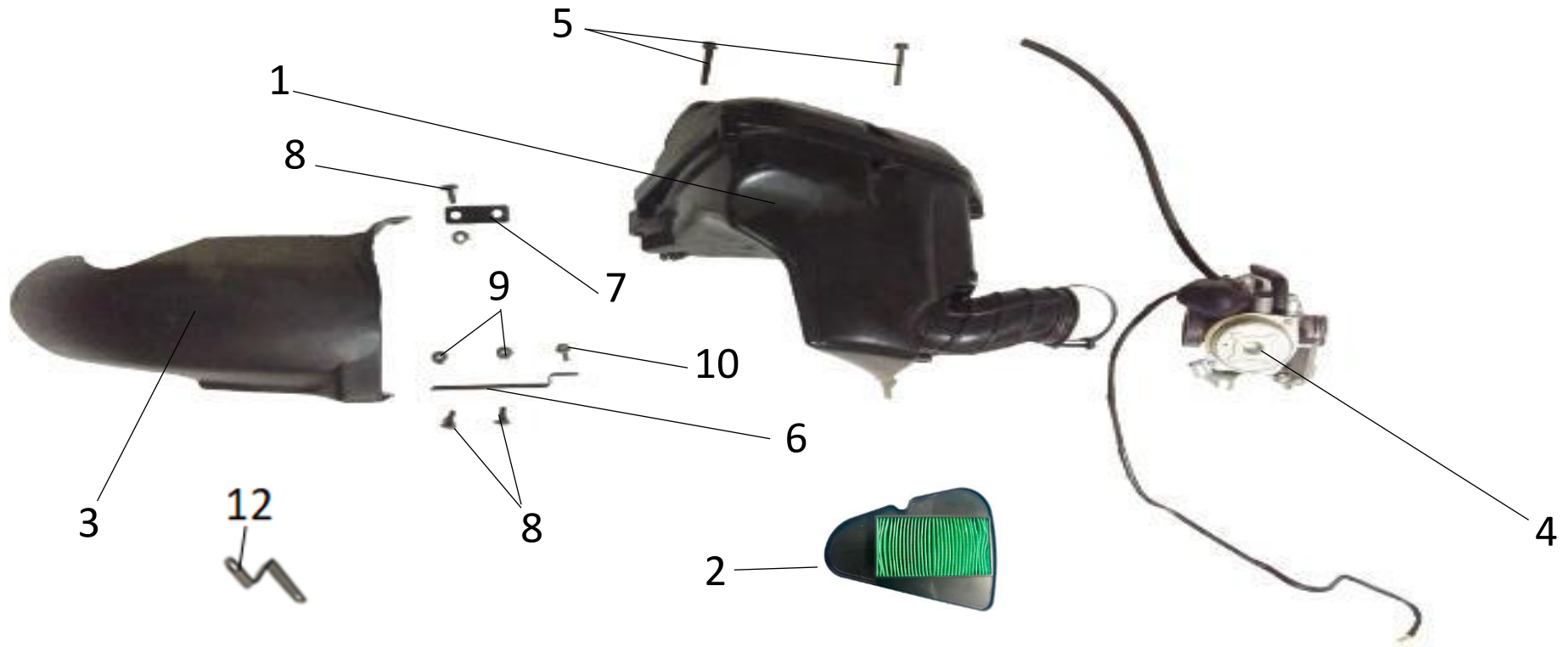
POSITION NO.	CODE	EN DESCRIPTION	QTY/ UNIT	REMARKS
F10-01	ES125-10.01	MAIN CABLE	1	
F10-01	ES125-10.01.01	MAIN CABLE (WITHOUT FLAMEOUT SWITCH)	1	start vin PRSWS12CBNA017761
F10-02	ES125-10.02	POSITIVE WIRE	1	
F10-03	ES125-10.03	NEGATIVE WIRE (INCLUDING MOTOR CONNECTING LINE)	1	BEFORE PRSWS12CBMA001441
F10-03	ES125-10.03.01	NEGATIVE WIRE (INCLUDING MOTOR CONNECTING LINE) - NEW	1	START FROM PRSWS12CBMA001441
F10-04	ES125-10.04	FLASHER	1	
F10-05	ES125-10.05	IGNITOR	1	
F10-06	ES125-10.06	HORN	1	
F10-07	ES125-10.07	REGULATOR	1	
F10-08	ES125-10.08	HIGH VOLTAGE TRANSFER	1	
F10-09	ES125-10.09	STARTING RELAY	1	
F10-10	00110601671	BOLT M6X16	4	
F10-11	00310602571	BOLT M6X25	1	
F10-12	ES125-10.10	AUXILIARY CABLE	1	
F10-13	ES125-10.10-1	BAND	5	

F11 LOCK ASSY.



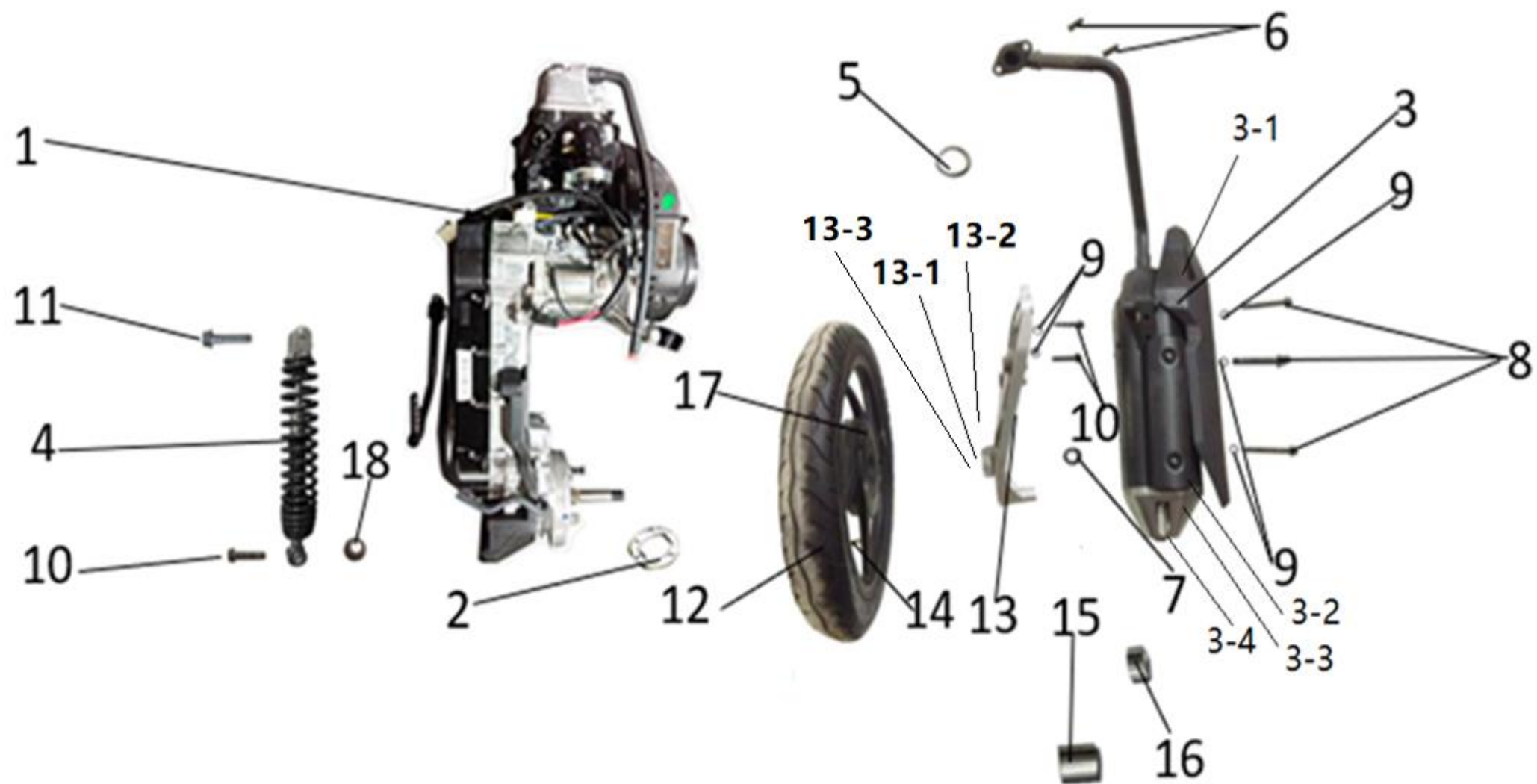
POSITION NO.	CODE	EN DESCRIPTION	QTY/ UNIT	REMARKS
F11-01	ES125-11.01	FRONT, REAR FENDER	1	
F11-02	00310601279	BOLT M6X12	2	
F11-03	ES125-11.03	LOCK CABLE, SEAT	1	
F11-04	ES125-11.04	STARTING SWITCH LOCK ASSY.	1	
F11-05	ES125-11.05	SEAT LOCK PLATE	1	
F11-08	ES125-11.08	BLOCK COVER	1	
F11-09	00110601671	BOLT M6X16	2	

F12 AIR CLEANER



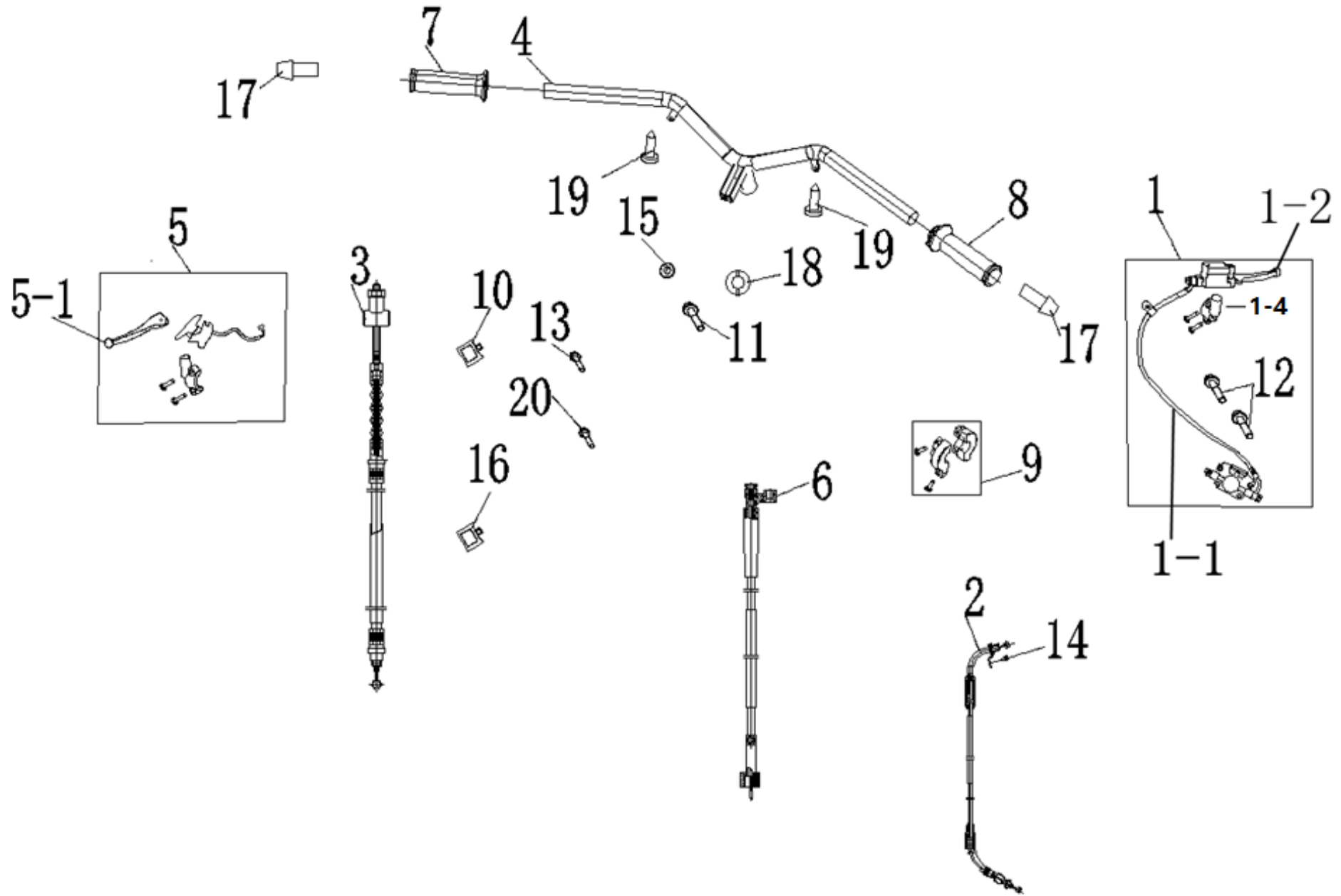
POSITION NO.	CODE	EN DESCRIPTION	QTY/ UNIT	REMARKS
F12-01	ES125-12.01	AIR CLEANER WITH CLAMP	1	
F12-02	ES125-12.01.01	AIR CLEANER FILTER	1	
F12-03	ES125-12.03	REAR FENDER, INNER	1	
F12-04	ES125-12.04	CARBURETTOR	1	
F12-05	00110603571	BOLT M6X35	2	
F12-06	ES125-12.06	RIGHT BRACKET OF INNER FENDER	1	
F12-07	ES125-12.07	LEFT BRACKET OF INNER FENDER	1	
F12-08	00310601677	LARGE FLAT HEAD BOLT M6X16	3	
F12-09	00710600073	NUT M6	3	
F12-10	00110601671	BOLT M6X16	1	
F12-11	ES125-12.08	LEFT BRACKET II OF INNER FENDER	1	

F13 ENGINE



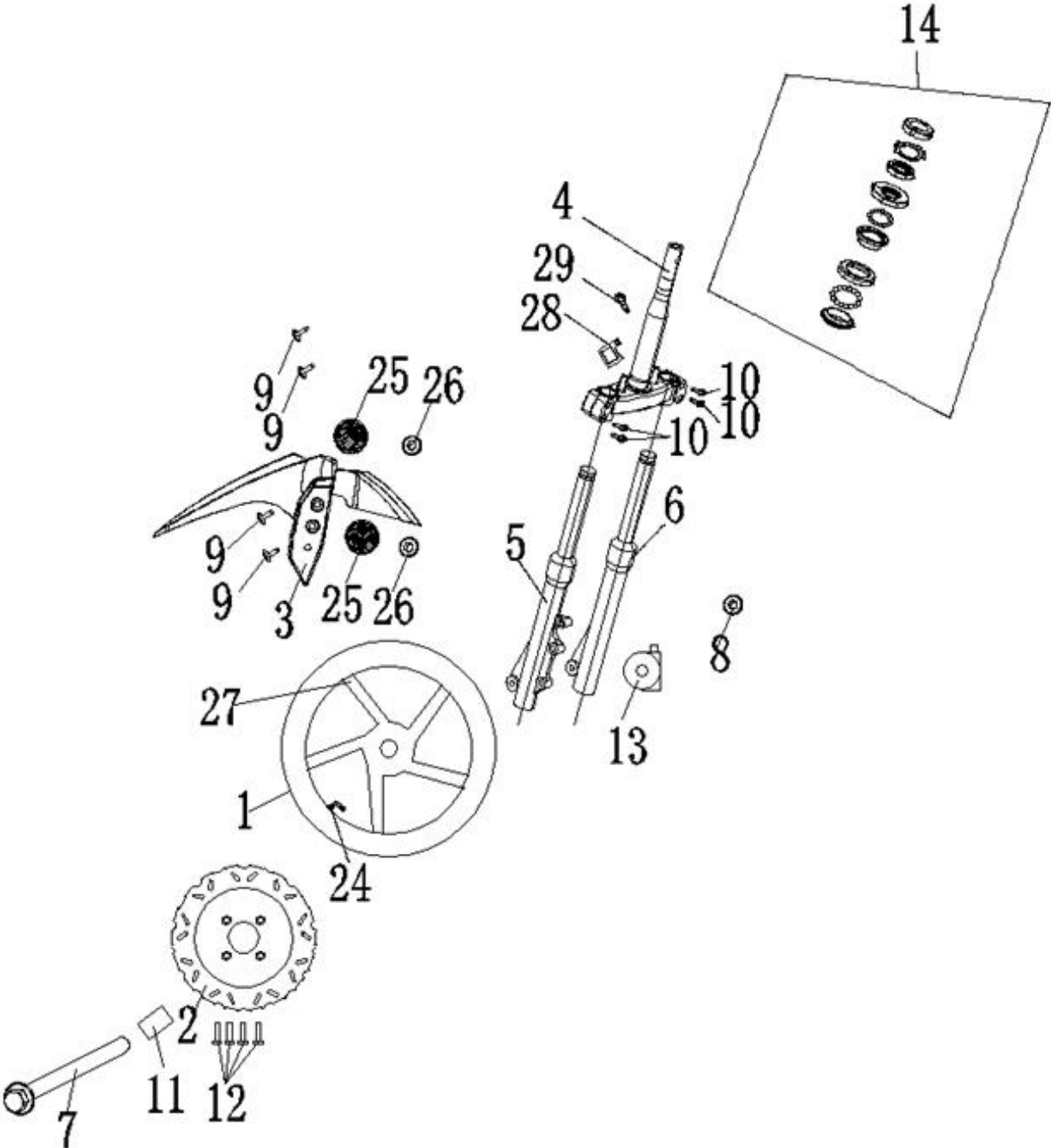
POSITION NO.	CODE	EN DESCRIPTION	QTY/ UNIT	REMARKS
F13-01	ES125-13.01	ENGINE	1	
F13-02	ES125-13.02	REAR BRAKE SHOE ASSY.	1	
F13-03	ES125-13.03	MUFFLER	1	
F13-03-1	ES125-13.03.01	MUFFLER COVER	1	
F13-03-2	ES125-13.03.02	MUFFLER DECORATIVE STRIP	1	
F13-03-3	ES125-13.03.03	MUFFLER ALUMINIUM BACKSHELL	1	
F13-03-4	ES125-13.03.04	BOLT M6x18	3	
F13-04	JT125T-67-1304M	REAR SHOCK ABSORBER	1	
F13-05	ES125-13.06	GASKET	1	INCLUDE IN MUFFLER (F13-03)
F13-06	00710600079	NUT M6X32	2	
F13-07	00711600078	NUT M16	1	
F13-08	00111007071	BOLT M10X70	3	
F13-09	00911000073	SPRING WASHER Φ10	5	
F13-10	00111004071	BOLT M10X40	3	
F13-11	00110803571	BOLT M8X35	1	
F13-12	AC-80/90-14 SB-141R	TUBELESS TIRE 80/90-14 SB-141R	1	
F13-13	ES125-13.08	POWER CONNECTING PLATE	1	
F13-13-1	ES125-13.08.01	BEARING, POWER CONNECTING PLATE	1	
F13-13-2	ES125-13.08.02	OIL SEAL 25x35x7, POWER CONNECTING PLATE	1	
F13-13-3	ES125-13.08.03	OIL SEAL 25x40x10, POWER CONNECTING PLATE	1	
F13-14	ES125-15.19	INFLATING VALVE	1	
F13-15	ES125-13.10	REAR WHEEL INNER LINER	1	
F13-16	ES125-13.09	REAR WHEEL OUTER BUSHING	1	
F13-17	ES125-13.11.01	REAR WHEEL RIM(BLACK)	1	
F13-17	ES125-13.11.02	REAR WHEEL RIM(ORANGE)	1	
F13-18	00711000078	NUT M10	1	

F14 DAMPER CABLE AND FRONT BRAKE CABLE



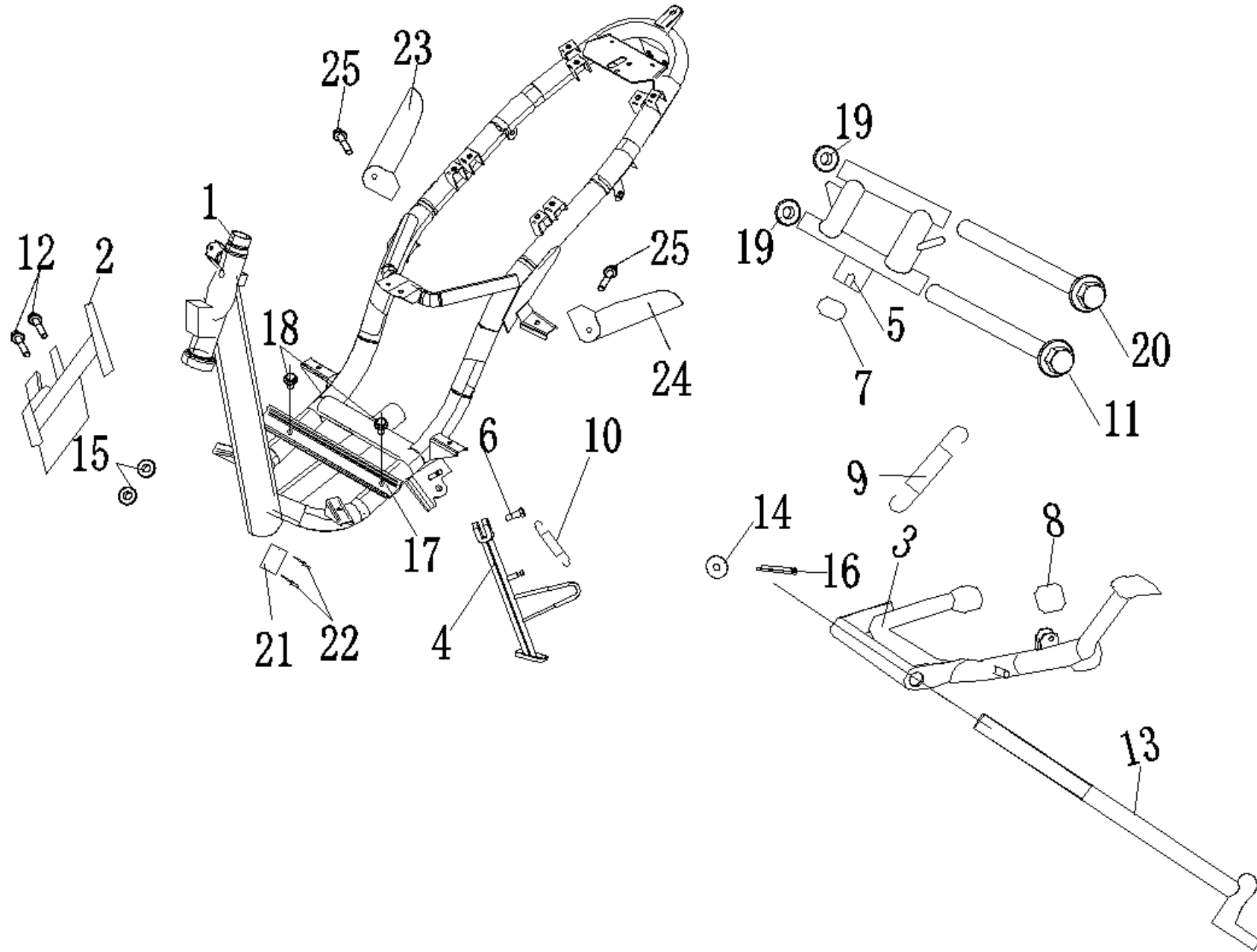
POSITION NO.	CODE	EN DESCRIPTION	QTY/ UNIT	REMARKS
F14-01	ES125-14.01	FRONT DISC BRAKE ASSY.	1	
F14-01-1	ES125-14.01.01	DISC BRAKE TUBE	1	
F14-01-2	ES125-14.01.02	RIGHT HAND GRIP	1	
F14-01-3	ES125-14.01.03	FRONT DISC BRAKE PAD	1	
F14-01-4	ES125-14.01.04	UPPER PUMP HOLDER	1	
F14-02	ES125-14.02	THROTTLE CABLE	1	
F14-03	ES125-14.03	REAR BRAKE CABLE	1	
F14-04	ES125-14.05	HANDLE BAR	1	
F14-05	ES125-14.06	LEFT BAR	1	
F14-05-1	ES125-14.16	LEFT HAND GRIP	1	
F14-06	ES125-14.07	SPEEDOMETER CABLE	1	
F14-07	ES125-14.08	LEFT GRIP	1	
F14-08	ES125-14.09	RIGHT GRIP	1	
F14-09	ES125-14.10	THROTTLE HOLDER	1	
F14-10	ES125-14.11	CLIP	1	
F14-11	00111004571	BOLT M10X45	1	
F14-12	00111003071	BOLT M10X30	2	
F14-13	00110601271	BOLT M6X12	1	
F14-14	00310501271	SCREW M5X12	1	
F14-15	00711000078	NUT M10	1	
F14-16	ES125-14.13	CLIP	1	
F14-17	ES125-14.14	BALANCER	2	
F14-18	ES125-14.15	LOCKING SLEEVE	1	
F14-19	01114201271	SCREW 4.2X12	2	
F14-20	00110601071	BOLT M6X10	1	INCLUDE IN STANDARD PART

F15 FRONT WHEEL ASSY



POSITION NO.	CODE	EN DESCRIPTION	QTY/ UNIT	REMARKS
F15-01	AC-70/90-14 SB-132F	70/90-14 SB-132F TUBELESS	1	
F15-02	ES125-15.02	BRAKE DISC	1	
F15-03	ES125-15.03.01		1	
F15-03	ES125-15.03.02	FRONT FENDER(RED)	1	
F15-03	ES125-15.03.03	FRONT FENDER(GREY)	1	
F15-03	ES125-15.03.04	FRONT FENDER(GREEN TORQOISE)	1	
F15-04	ES125-15.04	FORK	1	
F15-05	ES125-15.05	LEFT,FRONT ABSORBER	1	
F15-06	ES125-15.06	RIGHT,FRONT SHOCK ABSORBER	1	
F15-07	ES125-15.20	BOLT M12X190	1	
F15-08	00711200078	NUT M12	1	
F15-09	00310601676	MEDIUM FLAT HEAD BOLT M6X16	4	
F15-10	00111004071	BOLT M10X40	4	
F15-11	ES125-15.07	BUSHING	1	
F15-12	ES125-15.22	(BRAKE DISC) SCREW M8X25	4	
F15-13	ES125-15.08	TRANSMISSION	1	
F15-14	ES125-15.09	BALL RACE ASSY.	1	
F15-24	ES125-15.19	INFLATING VALVE	1	
F15-25	ES125-15.24	SIDE REFLECTOR	2	
F15-26	00710600073	NUT M6	2	
F15-27	ES125-15.21.01	FRONT RIM(BLACK)	1	
F15-27	ES125-15.21.02	FRONT RIM(ORANGE)	1	
F15-28	ES125-15.25	CLIP	1	
F15-29	00110601271	BOLT M6X12	1	

F16 FRAME



POSITION NO.	CODE	EN DESCRIPTION	QTY/ UNIT	REMARKS
F16-01	ES125-16.01	FRAME	1	
F16-02	ES125-16.02	BRACKET, FRONT COVER	1	
F16-03	ES125-16.03	MAIN STAND	1	
F16-04	ES125-16.04	SIDE STAND	1	
F16-05	ES125-16.05	HANGER COMP.	1	
F16-06	ES125-16.19	SCREW, SIDE STAND	1	
F16-07	ES125-16.08	RUBBER, HANGER	2	ES125-16.08 & ES125-16.09 SELL TOGETHER
F16-08	ES125-16.09	RUBBER, MAIN STAND	1	
F16-09	ES125-16.10	SPRING, MAIN STAND	1	
F16-10	ES125-16.11	SPRING, SIDE STAND	1	
F16-11	ES125-16.18	HANGER SHAFT	1	INCLUDING IN STANDARD PART
F16-12	00110604571	(FOOT PEDAL) BOLT M6x40	2	
F16-13	ES125-16.12	BRACE SHAFT	1	
F16-14	ES125-16.20	NYLON PAD M10	1	
F16-15	00710600073	NUT M6	2	
F16-16	01512502570	COTTER PIN ϕ 2.5x25	1	
F16-17	ES125-16.15	FOOT PEDAL BRACKET	1	
F16-18	00110601271	BOLT M6X12	2	
F16-19	00711000078	NUT M10	2	
F16-20	ES125-16.16	HANGER SHAFT M10x235	1	INCLUDING IN STANDARD PART
F16-23	ES125-16.21	RIGHT FOOT PEDAL	1	
F16-24	ES125-16.22	LEFT FOOT PEDAL	1	
F16-25	00110604071	(FOOT PEDAL) BOLT M6x40	2	

F18 ATTACHMENT



11



12



13



15



14

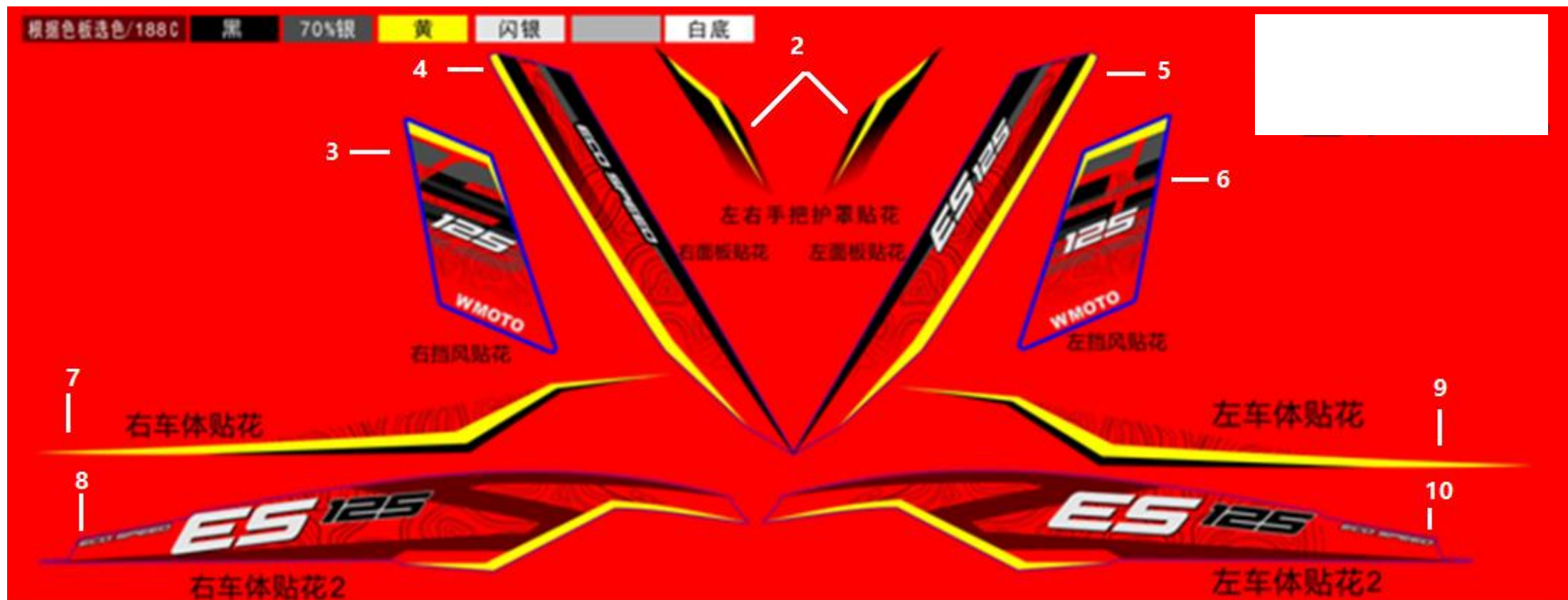
POSITION NO.	CODE	EN DESCRIPTION	QTY/ UNIT	REMARKS
F18-01	AC-YTX7A-BS(HW)	BATTERY YTX7A-BS (HW)	1	
F18-11	ES125-18.11	MUFFLER WARNING LABEL	1	ES125-18.11 & ES125-18.12 & ES125-18.14 SELL TOGETHER
F18-12	ES125-18.12	VEHICLE WARNING LABEL	1	
F18-14	ES125-18.14	REAR SHELF WEIGHING LABEL	1	
F18-13	ES125-18.13	AIR FILTER STICKER	1	
F18-15	ES125-17.15	STICKER, FRONT COVER	1	

F19 STICKER SET (BLACK)



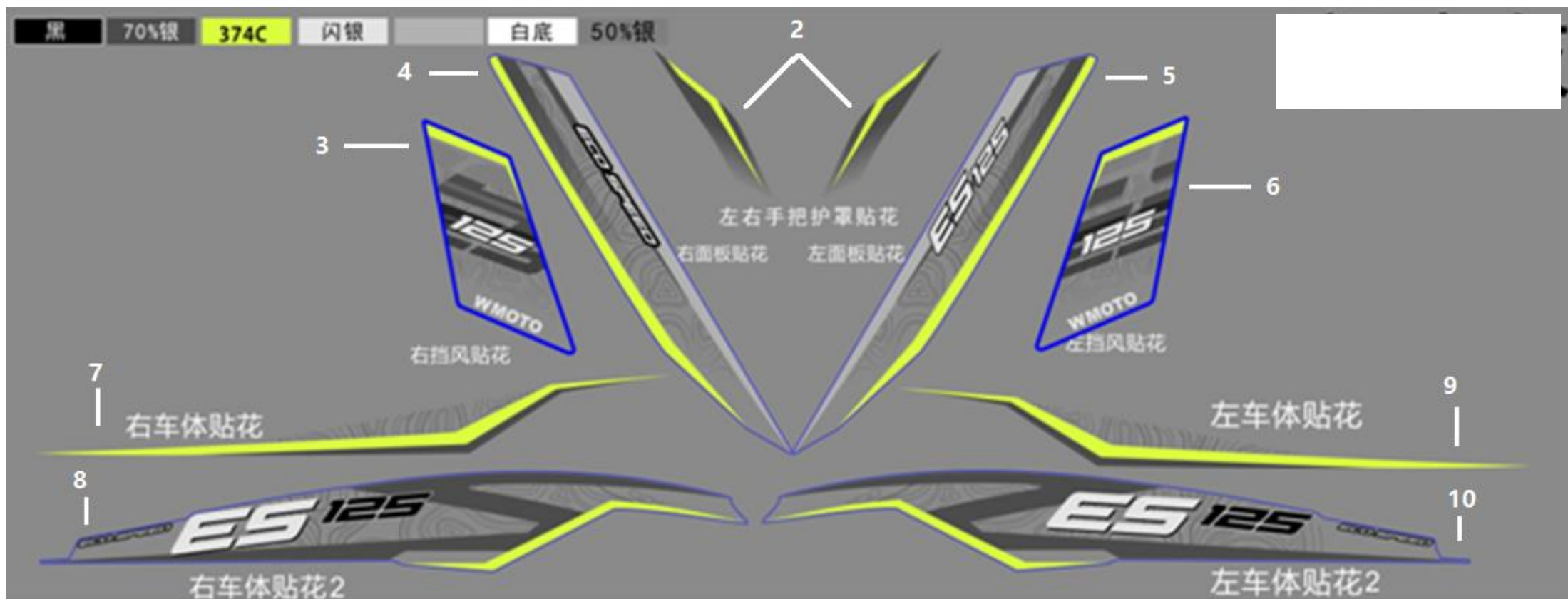
POSITION NO.	CODE	EN DESCRIPTION	QTY/ UNIT	REMARKS
F19-01	ES125-STICKER-01	STICKER-BLACK	1	SET
F19-02	ES125-STK04.02.01	WIND COVER STICKER (BLACK)	1	
F19-03	ES125-STK05.06.01	FRONT RIGHT LATERAL PLATE STICKER (BLACK)	1	
F19-04	ES125-STK05.09.01	FRONT RIGHT COVER PLATE STICKER (BLACK)	1	
F19-05	ES125-STK05.01.01	FRONT LEFT COVER PLATE STICKER (BLACK)	1	
F19-06	ES125-STK05.02.01	FRONT LEFT LATERAL PLATE STICKER (BLACK)	1	
F19-07	ES125-STK07.02.01A	RIGHT COVER STICKER I (BLACK)	1	
F19-08	ES125-STK07.02.01B	RIGHT COVER STICKER II (BLACK)	1	
F19-09	ES125-STK07.03.01A	LEFT COVER STICKER I (BLACK)	1	
F19-10	ES125-STK07.03.01B	LEFT COVER STICKER II (BLACK)	1	

F19 STICKER SET (RED)



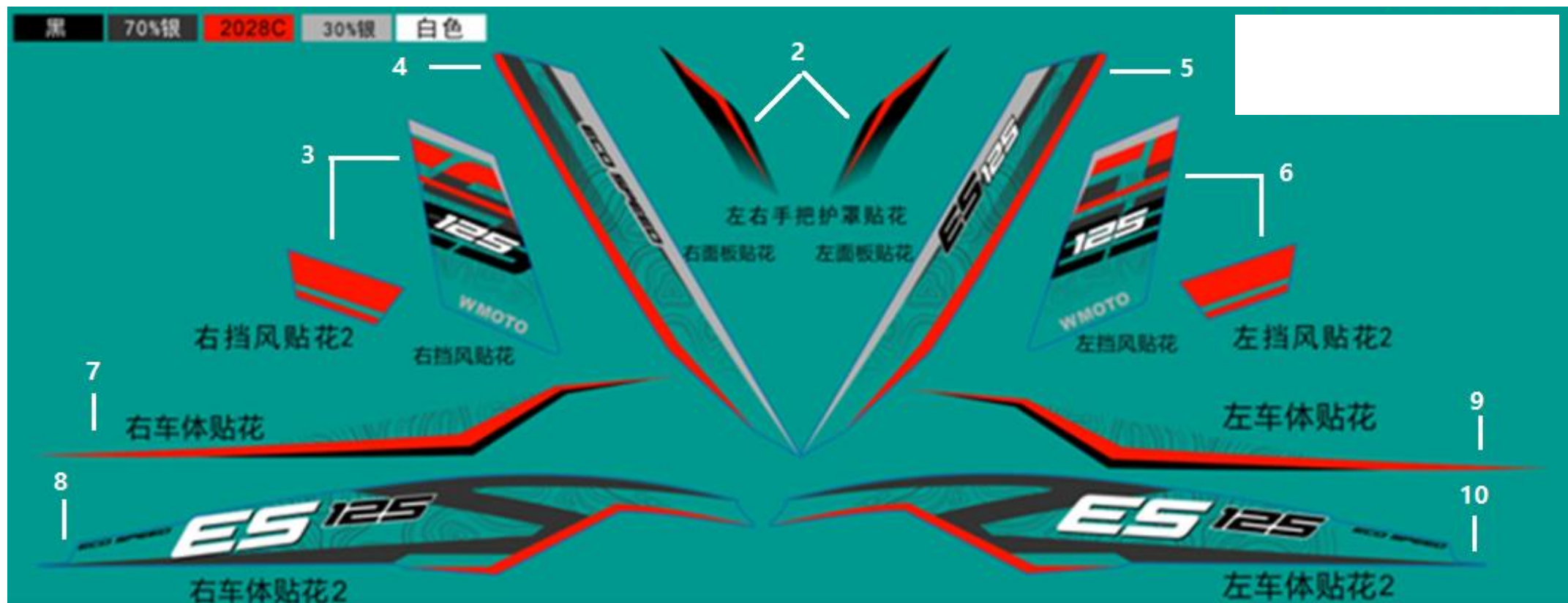
POSITION NO.	CODE	EN DESCRIPTION	QTY/ UNIT	REMARKS
F19-01	ES125-STICKER-02	STICKER-RED	1	SET
F19-02	ES125-STK04.02.02	WIND COVER STICKER (RED)	1	
F19-03	ES125-STK05.06.02	FRONT RIGHT LATERAL PLATE STICKER (RED)	1	
F19-04	ES125-STK05.09.02	FRONT RIGHT COVER PLATE STICKER (RED)	1	
F19-05	ES125-STK05.01.02	FRONT LEFT COVER PLATE STICKER (RED)	1	
F19-06	ES125-STK05.02.02	FRONT LEFT LATERAL PLATE STICKER (RED)	1	
F19-07	ES125-STK07.02.02A	RIGHT COVER STICKER I (RED)	1	
F19-08	ES125-STK07.02.02B	RIGHT COVER STICKER II (RED)	1	
F19-09	ES125-STK07.03.02A	LEFT COVER STICKER I (RED)	1	
F19-10	ES125-STK07.03.02B	LEFT COVER STICKER II (RED)	1	

F19 STICKER SET (GREY)



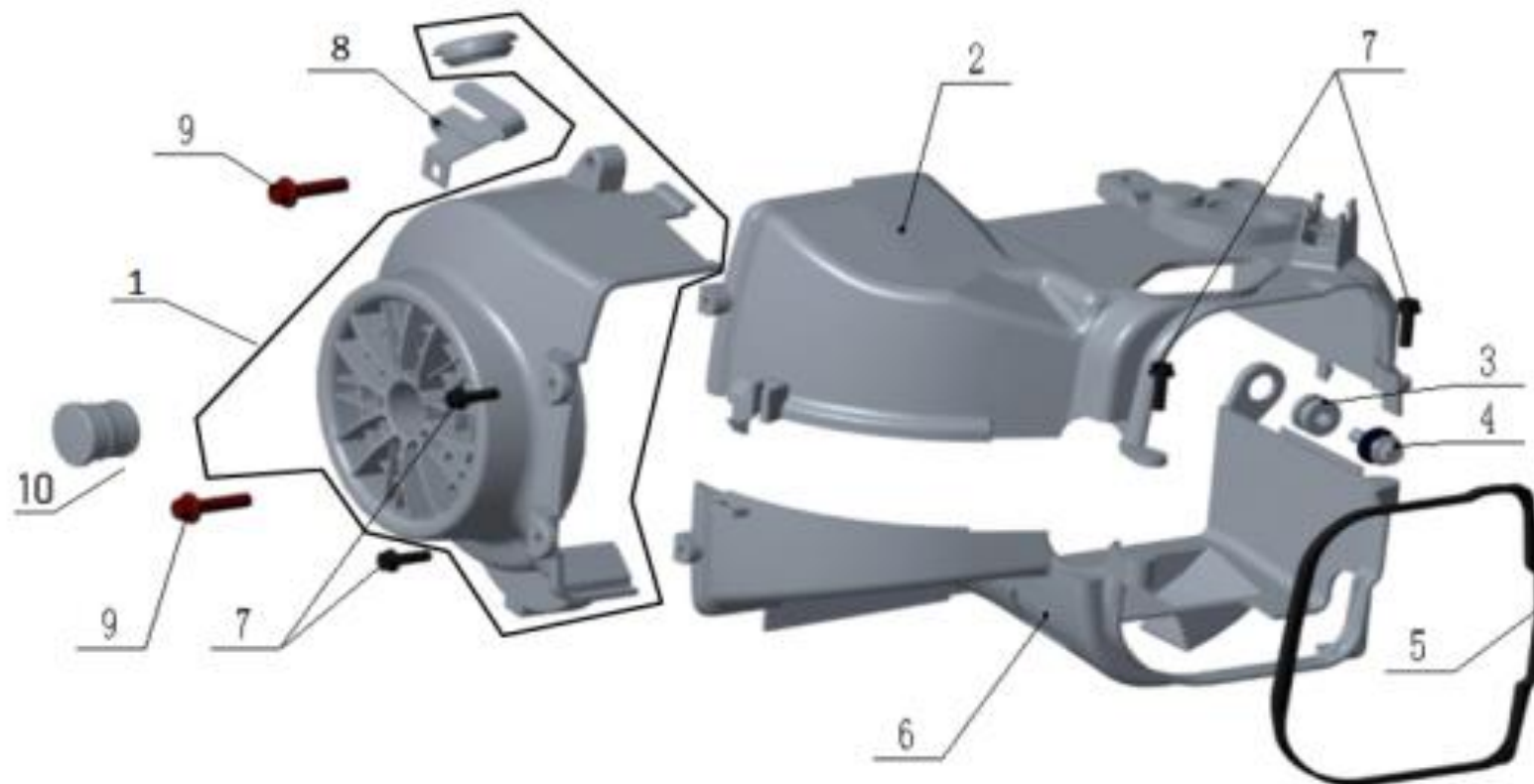
POSITION NO.	CODE	EN DESCRIPTION	QTY/ UNIT	REMARKS
F19-01	ES125-STICKER-03	STICKER-GREY	1	SET
F19-02	ES125-STK04.02.03	WIND COVER STICKER (GREY)	1	
F19-03	ES125-STK05.06.03	FRONT RIGHT LATERAL PLATE STICKER (GREY)	1	
F19-04	ES125-STK05.09.03	FRONT RIGHT COVER PLATE STICKER (GREY)	1	
F19-05	ES125-STK05.01.03	FRONT LEFT COVER PLATE STICKER (GREY)	1	
F19-06	ES125-STK05.02.03	FRONT LEFT LATERAL PLATE STICKER (GREY)	1	
F19-07	ES125-STK07.02.03A	RIGHT COVER STICKER I (GREY)	1	
F19-08	ES125-STK07.02.03B	RIGHT COVER STICKER II (GREY)	1	
F19-09	ES125-STK07.03.03A	LEFT COVER STICKER I (GREY)	1	
F19-10	ES125-STK07.03.03B	LEFT COVER STICKER II (GREY)	1	

F19 STICKER SET (GREEN TORQOISE)



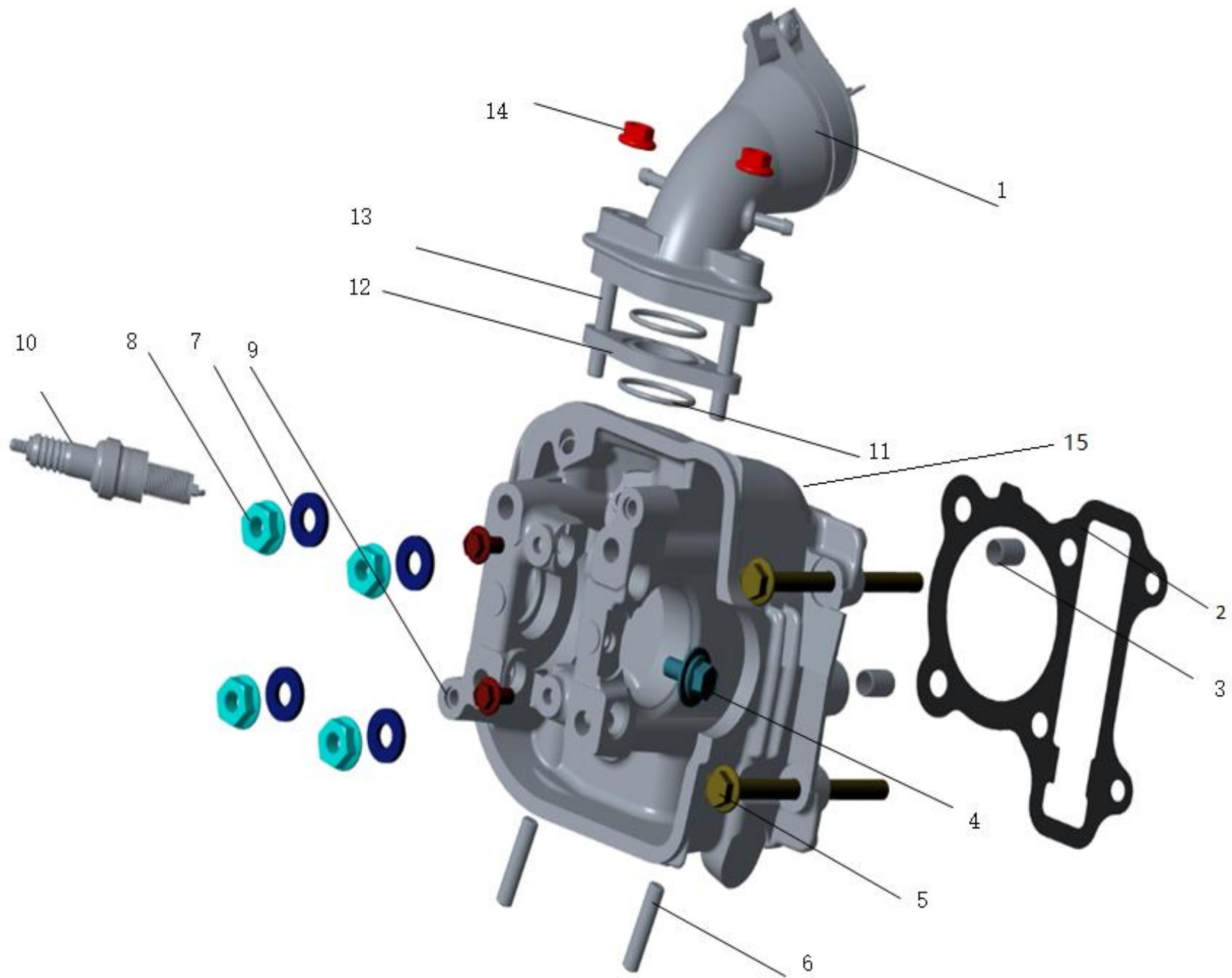
POSITION NO.	CODE	EN DESCRIPTION	QTY/ UNIT	REMARKS
F19-01	ES125-STICKER-04	STICKER-GREEN TORQOISE	1	SET
F19-02	ES125-STK04.02.04	WIND COVER STICKER (GREEN TORQOISE)	1	
F19-03	ES125-STK05.06.04	FRONT RIGHT LATERAL PLATE STICKER (GREEN TORQOISE)	1	
F19-04	ES125-STK05.09.04	FRONT RIGHT COVER PLATE STICKER (GREEN TORQOISE)	1	
F19-05	ES125-STK05.01.04	FRONT LEFT COVER PLATE STICKER (GREEN TORQOISE)	1	
F19-06	ES125-STK05.02.04	FRONT LEFT LATERAL PLATE STICKER (GREEN TORQOISE)	1	
F19-07	ES125-STK07.02.04A	RIGHT COVER STICKER I (GREEN TORQOISE)	1	
F19-08	ES125-STK07.02.04B	RIGHT COVER STICKER II (GREEN TORQOISE)	1	
F19-09	ES125-STK07.03.04A	LEFT COVER STICKER I (GREEN TORQOISE)	1	
F19-10	ES125-STK07.03.04B	LEFT COVER STICKER II (GREEN TORQOISE)	1	

E19 FAN COVER SHROUD



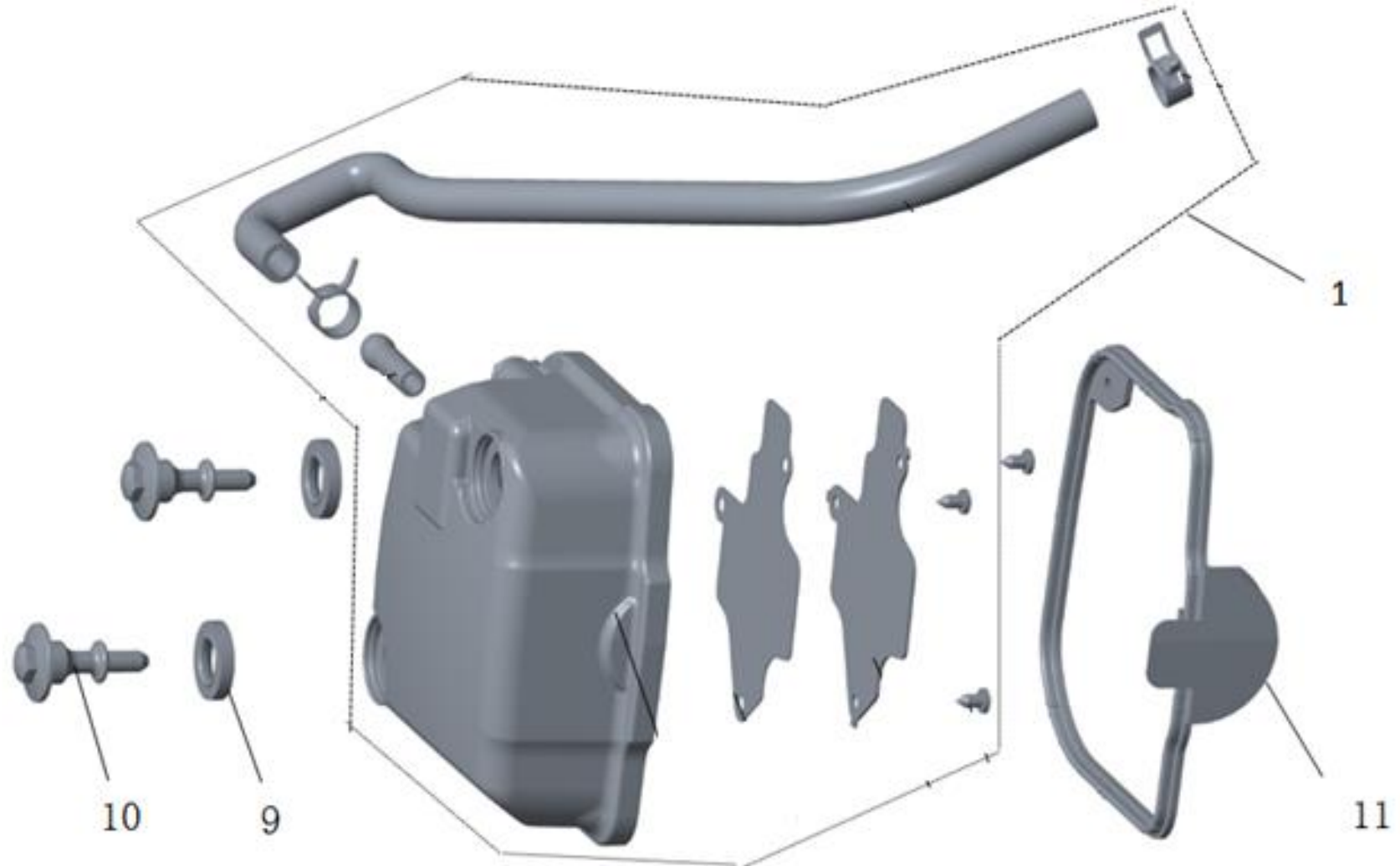
POSITION NO.	CODE	EN DESCRIPTION	QTY/ UNIT	REMARKS
E19-01	150H.05.210	AIR SHROUD, CYLINDER 1	1	
E19-02	150H.05.320	AIR SHROUD, CYLINDER 2	1	
E19-03	150-B.12.103	RUBBER SLEEVE ASSY	1	
E19-04	150H.11.320	BOLT, WITH WASHER M6x20-1.5	1	
E19-05	150H.12.102	SEAL RING, AIR SHROUD, CYLINDER	1	
E19-06	150H.05.330	AIR SHROUD, CYLINDER 3	1	
E19-07	GB.T16824.1 ST4.8X16	BOLT ST4.8x16	4	
E19-08	152.11.505	CLAMPER STARTER CABLE	1	
E19-09	GB.T16674.1 M6X25 - BK	BOLT, FLANGE M6x25	2	
E19-10	ES125-18.10	RUBBER PLUG, AIR SHROUD	1	

E20 CYLINDER HEAD

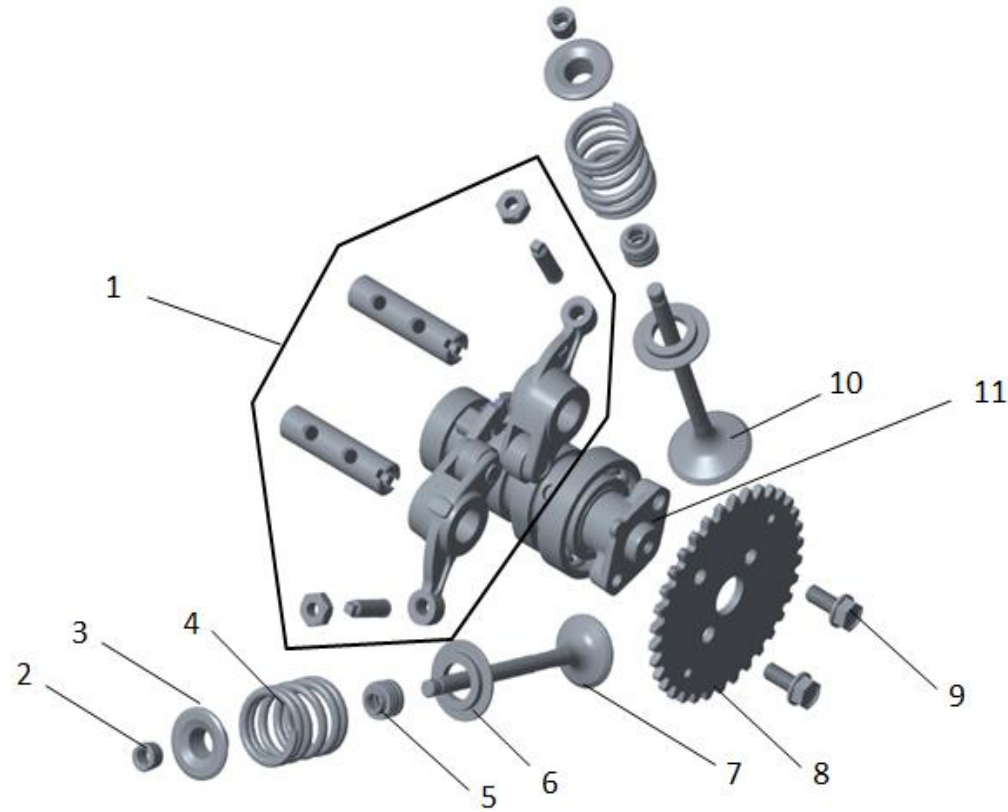


POSITION NO.	CODE	EN DESCRIPTION	QTY/ UNIT	REMARKS
E20-01	150H.08.210	MANIFOLD ASSY	1	
E20-02	150-B.12.319	GASKET, CYLINDER HEAD 1	1	
E20-03	139.11.507 8X7.1X14	PIN,DOWEL Ø8xØ7.1xØ14	2	
E20-04	150H.11.318	BOLT, WITH WASHER M6x13-1.6	1	
E20-05	GB.T 5789 M6X95	BOLT, FLANGE M6x95	2	
E20-06	150-B.11.203 M6x28	EXHAUST .BOLT, STUD M6x28	2	
E20-07	150H.11.805	WASHER, PLATE Ø7.2xØ16x2.5	4	
E20-08	GB.T 6177.1 M7	NUT M7	4	
E20-09	GB.T16674.1 M5X12	BOLT, FLANGE M5x12	2	
E20-10	150H.07.210 CPR8EA-9	PLUG, SPARK (CPR8EA-9)	1	
E20-11	150H.12.514 25.5X1.9	O-RING 25.5x1.9	2	
E20-12	150H.08.260	JOINT	1	
E20-13	150H.11.202 M6X48	INTAKE .BOLT, STUD M6x48	2	
E20-14	GB.T 6177.1 M6	NUT M6	2	
E20-15	ES125-20.01	CYLINDER HEAD	1	

E21 COVER, CYLINDER HEAD

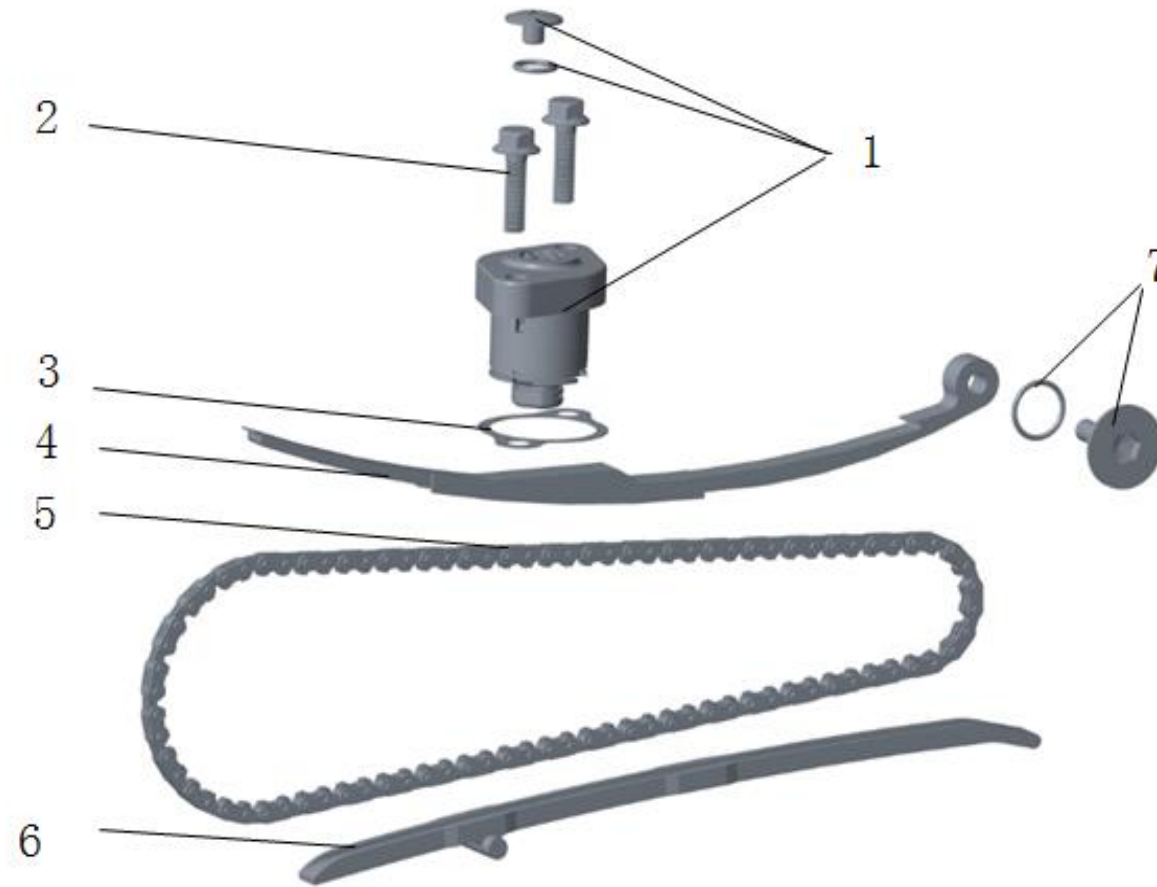


POSITION NO.	CODE	EN DESCRIPTION	QTY/ UNIT	REMARKS
E21-01	150H.04.310	CYLINDER EPICRANIUM COMPONENTS	1	
E21-09	150H.12.431	OIL SEAL Ø12xØ22x5	2	
E21-10	150H.11.322	BOLT M6	2	
E21-11	150H.12.101	CASKET HEAD COVER	1	



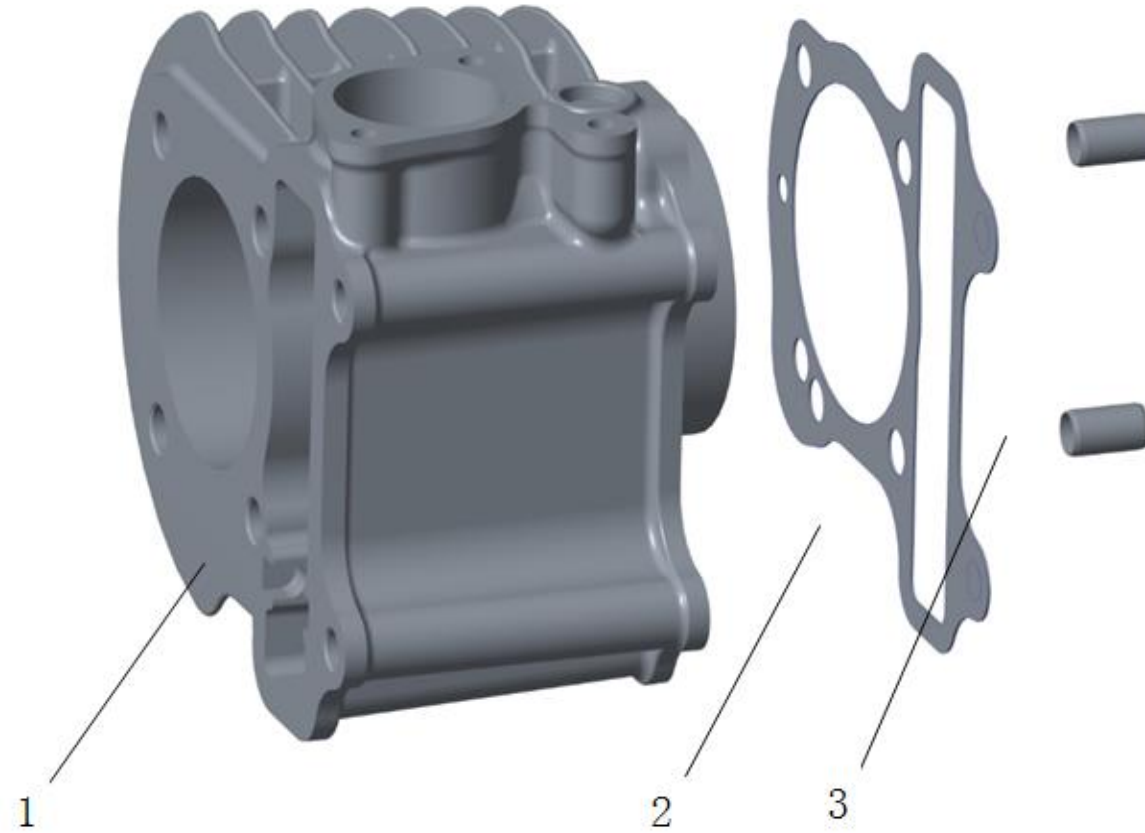
POSITION NO.	CODE	EN DESCRIPTION	QTY/ UNIT	REMARKS
E22-01	ES125-22.01	ARM, VALVE ROCKER	1	
E22-02	152.02.307	COTTER, VALVE	4	
E22-03	152-2A.02.315	RETAINER, VALVE SPRING	2	
E22-04	150H.02.316	SPRING, VALVE INNER	2	
E22-05	152.12.401	SEAL, VALVE STEM	2	
E22-06	150H.02.316.01	SEAT VAVE SPRING OUTER	2	
E22-07	150H.02.311	VALVE, INTAKE	1	
E22-08	150-B.02.213	SPROCKET, CAM CHAIN	1	
E22-09	150H.11.316	BOLT, FLANGE M5x12	1	
E22-10	150H.02.312	VALVE, EXHAUST	1	
E22-11	150H.02.210	CAMSHAFT ASSEMBLY	1	

E23 CHAIN,TENSIONER



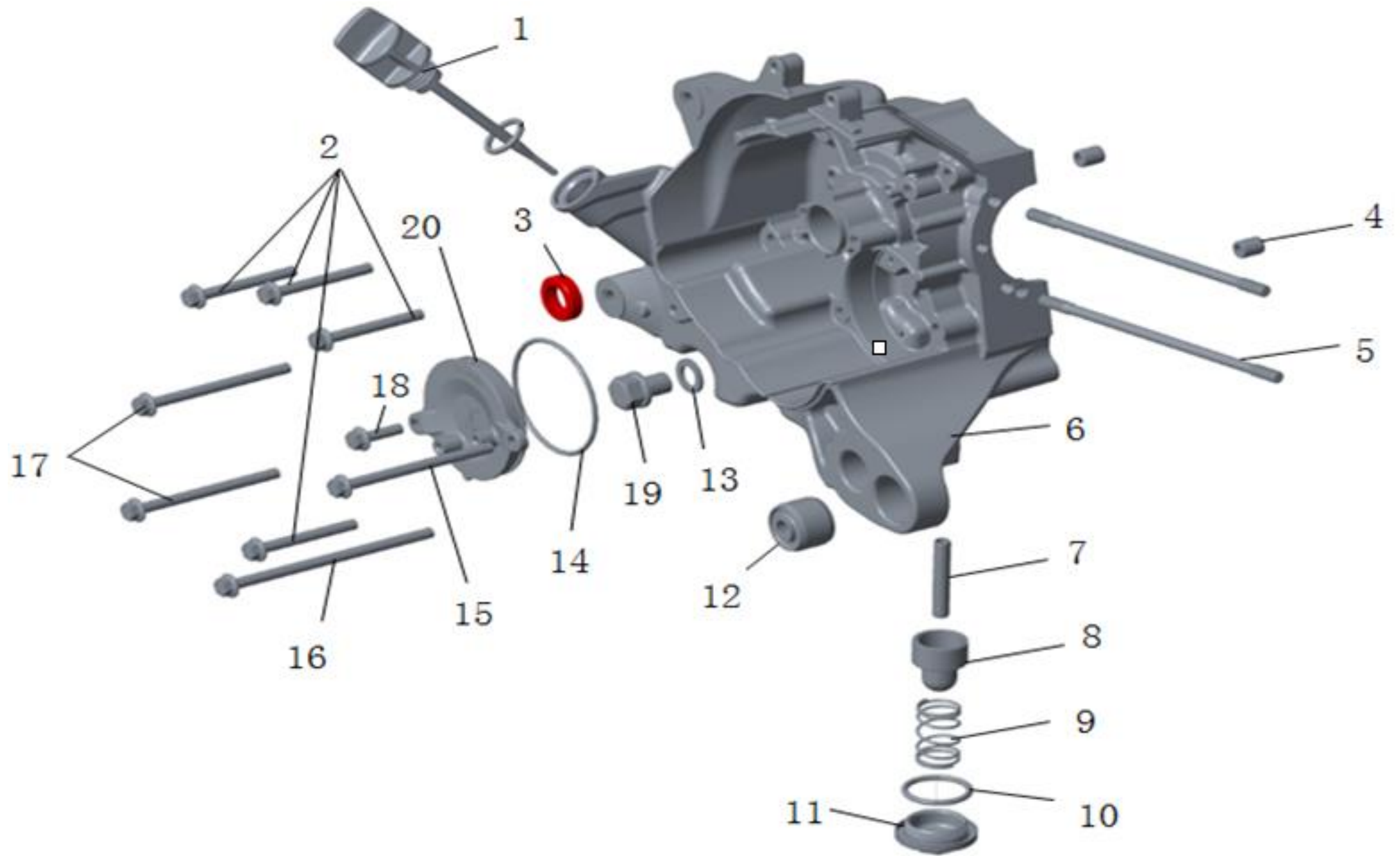
POSITION NO.	CODE	EN DESCRIPTION	QTY/ UNIT	REMARKS
E23-01	150H.02.410	TENSIONER ASSY, CAM CHAIN	1	
E23-02	GB.T 5789 M6X22	BOLT, FLANGE M6x22	2	
E23-03	150H.12.306	GASKET, TENSIONER CASE	1	
E23-04	150H.02.610	GUIDE, STOPPER 2	1	
E23-05	152.02.500	CHAIN	1	
E23-06	150H.02.710	GUIDE, STOPPER 1	1	
E23-07	152.11.103	BOLT	1	

E24 CYLINDER



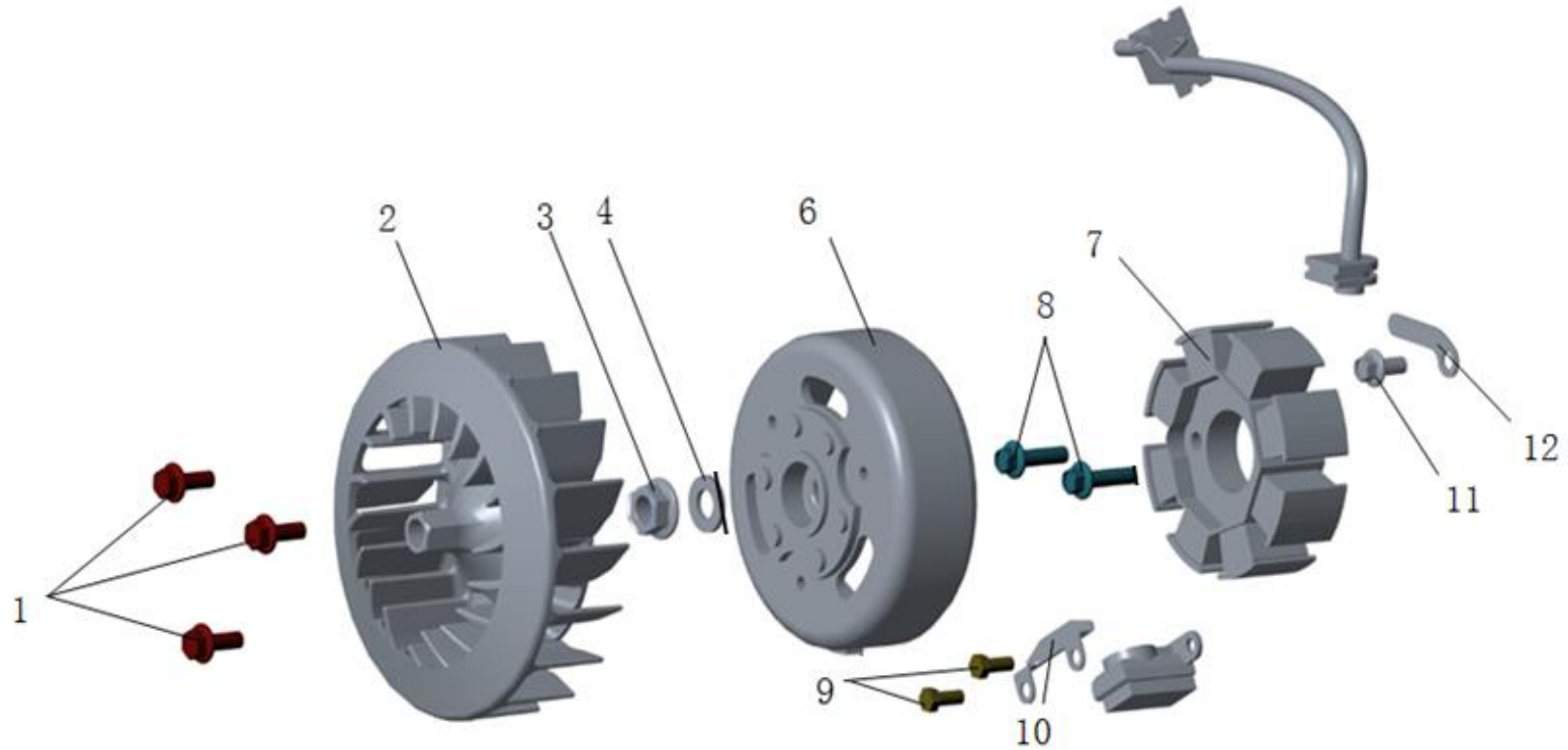
POSITION NO.	CODE	EN DESCRIPTION	QTY/ UNIT	REMARKS
E24-01	150H.04.110	CYLINDER BLOCK ASSY	1	
E24-02	150H.12.304	CYLINDER BLOCK PAPER PAD	1	
E24-03	139.11.507 8X7.1X14	PIN, DOWEL Ø8xØ7.1x14	2	

E25 RIGHT CRANKCASE



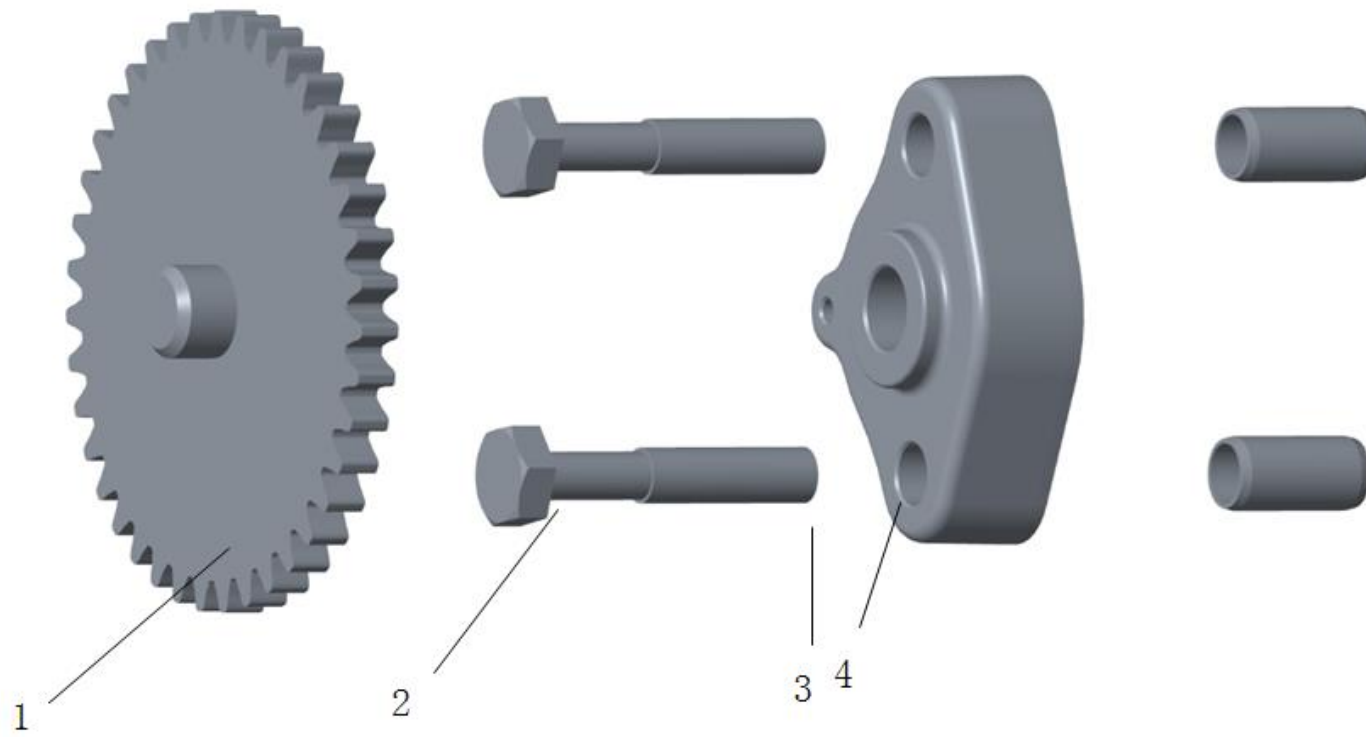
POSITION NO.	CODE	EN DESCRIPTION	QTY/ UNIT	REMARKS
E25-01	150H.09.415	OIL RULE	1	
E25-02	GB.T 5789 M6X55	BOLT, FLANGE M6x55	4	
E25-03	150-B.12.425 16X26X7	OIL SEAL 16x26x7	1	
E25-04	150H.11.507	PIN, DOWEL Ø10xØ6.3x12	2	
E25-05	150H.11.211 M7X193.5	BOLT, STUD M7x193.5	2	
E25-06	150H.03.211.02	RIGHT CRANKCASE LONGER	1	
E25-07	152-7.03.201	OIL PUMP INTO THE PIPE	1	
E25-08	152-7.09.002	STRAINER, OIL	1	
E25-09	152-7.09.003	SPRING, COMPRESSION	1	
E25-10	152.12.521 30.8X3.2		1	
E25-11	150H.09.411	PLUG, DRAIN	1	
E25-12	152.12.104	THE FRONT SHOCK-ABSORBING SLEEVE	1	
E25-13	150H.11.852 12X20X2	WASHER, PLATE Ø12xØ20x2	1	
E25-14	150-B.12.532 60X2.65	O-RING 60x2.65	1	
E25-15	GB.T 5789 M6X85	BOLT, FLANGE M6x85	1	
E25-16	GB.T 5789 M6X115	BOLT, FLANGE M6x115	1	
E25-17	GB.T 5789 M6X80	BOLT, FLANGE M6x80	2	
E25-18	GB.T 5789 M6X22	BOLT, FLANGE M6x22	1	
E25-19	152.11.306	BOLT, FLANGE M12x1.5-15	1	
E25-20	150H.03.413	COVER, OIL FILTER	1	

E26 GENERATOR



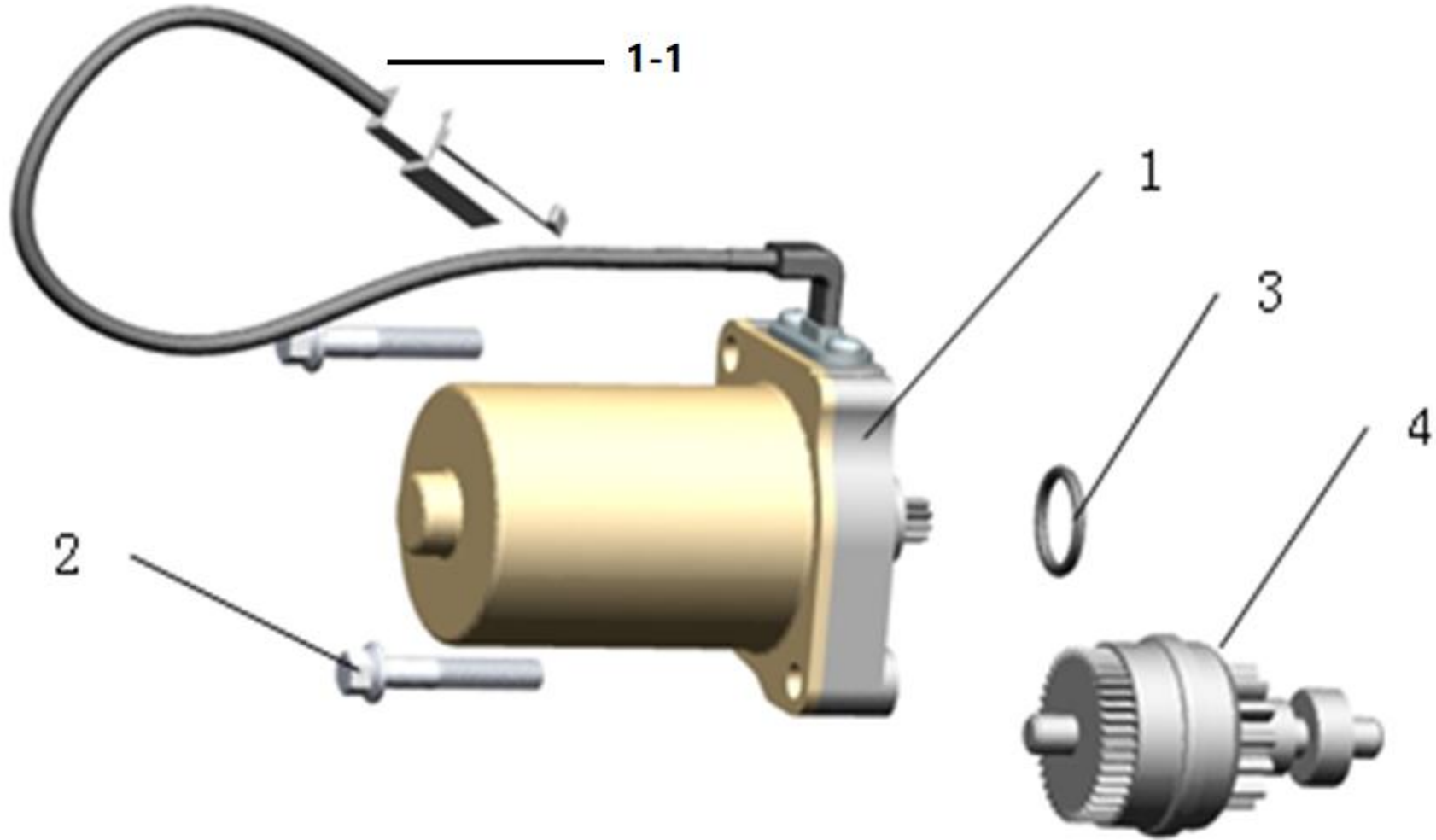
POSITION NO.	CODE	EN DESCRIPTION	QTY/ UNIT	REMARKS
E26-01	GB.T 5789 M6X16	BOLT, FLANGE M6x16	3	
E26-02	150H.05.110	FAN	1	
E26-03	GB.T 6177.2 M10X1.25	NUT M10x1.25	1	
E26-04	150H.11.804	WASHER, PLATE Ø10.3xØ20x2	1	
E26-06	150H.07.120	ROTOR ASSY	1	
E26-07	150H.07.140	STATOR ASSY	1	
E26-08	GB.T 16674.1 M6X25	BOLT, FLANGE M6x25	2	
E26-09	GB.T 5783 M5X12	BOLT M5x12	2	
E26-10	150H.11.118	TRIGGER COIL PLATE	1	
E26-11	GB.T 16674.1 M6X12	BOLT, FLANGE M6x12	1	
E26-12	150-B.11.117	MAGNETO COIL PLATE	1	

E27 OIL PUMP



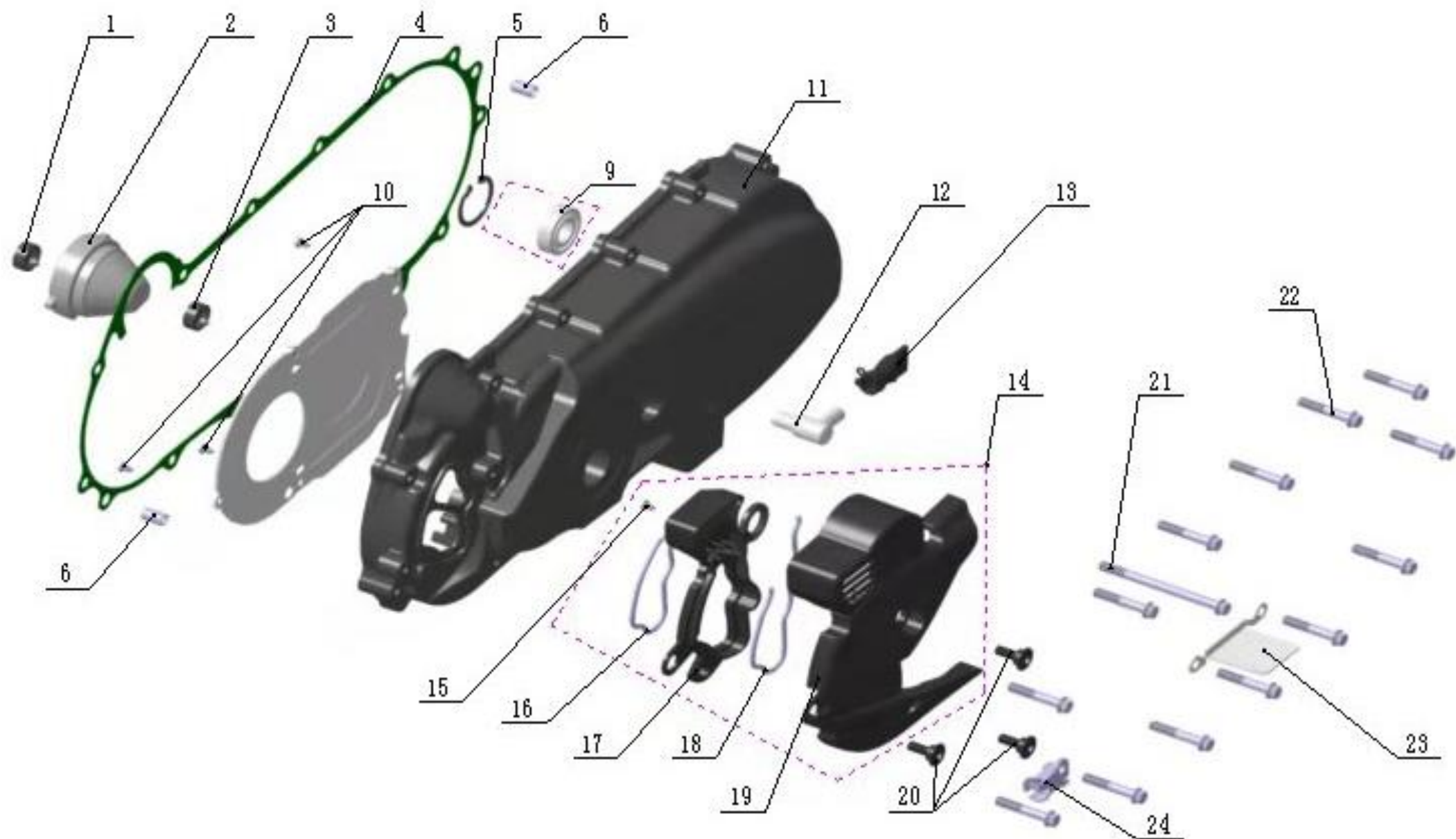
POSITION NO.	CODE	EN DESCRIPTION	QTY/ UNIT	REMARKS
E27-01	150-B.09.230	OIL PUMP GEAR	1	
E27-02	150H.11.319 M6X30	BOLT M6x30	2	
E27-03	150H.09.110	OIL PUMP ASSY	1	
E27-04	152.11.506 8X6.5X14	PIN, DOWEL Ø8xØ6.5x14	2	

E28 STARTER ASSY

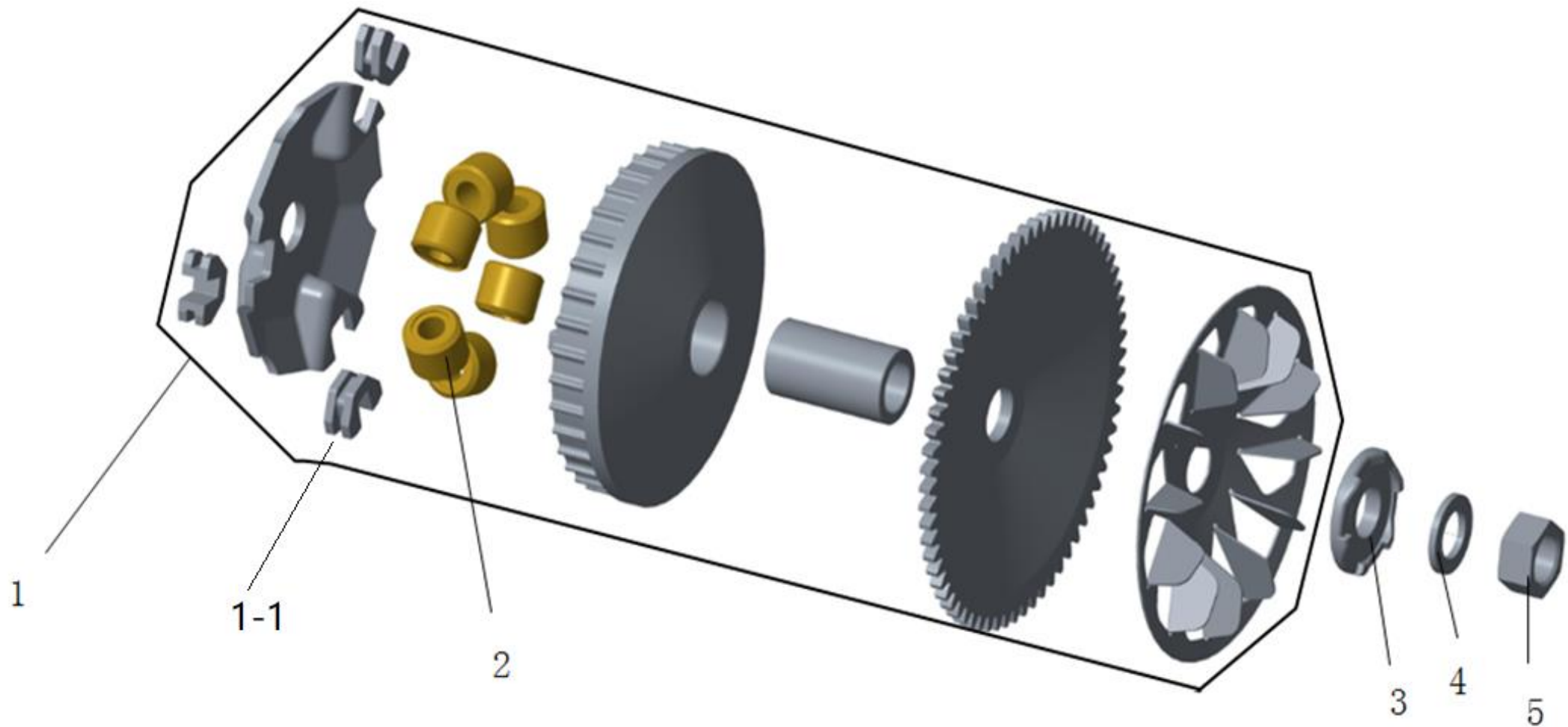


POSITION NO.	CODE	EN DESCRIPTION	QTY/ UNIT	REMARKS
E28-01	150-B.06.110	STARTING MOTOR ASSY	1	NOT INCLUDING MOTOR CABLE
E28-01-1	150-B.06.110.01	MOTOR CABLE 45*50	1	
E28-02	GB.T 16674.1 M6X35	BOLT, FLANGE M6x35	2	
E28-03	150-B.12.531 16X3.1	O-RING 16x3.1	1	INCLUDE IN MOTOR ASSY
E28-04	150-B.06.260	IDLE GEAR ASSY	1	

E29 LEFT CRANKEASE COVER

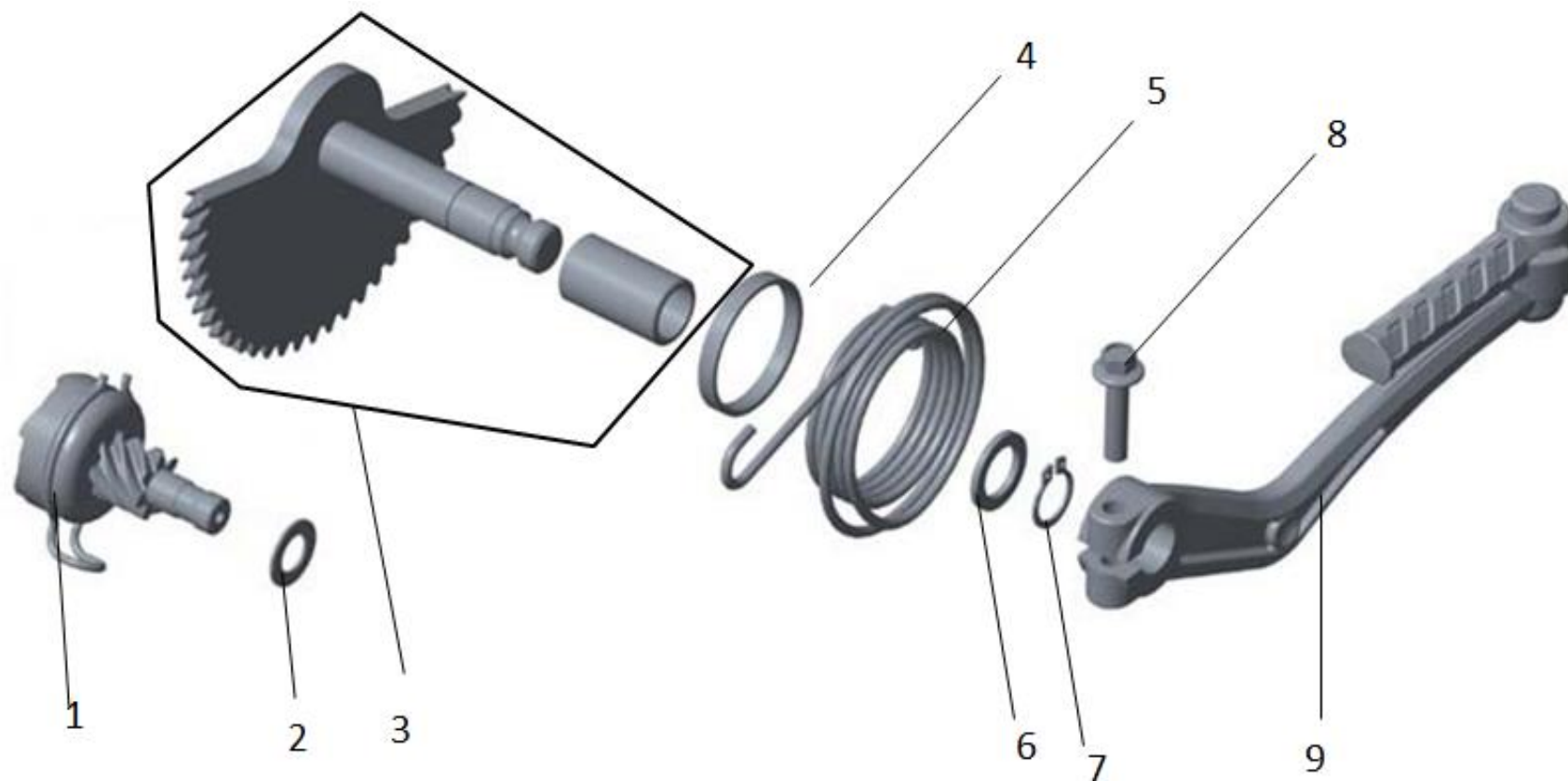


POSITION NO.	CODE	EN DESCRIPTION	QTY/ UNIT	REMARKS
E29-01	150-B.06.222	BUSH 8x12x6	1	
E29-02	150H.03.414	GEAR COVER	1	
E29-03	150-B.12.116	RUBBER PAD	1	
E29-04	150H-2.12.302	GASKET, CRANKCASE COVER	1	
E29-05	GB.T894.1	RING 32	1	
E29-06	152.11.506 8X6.5X14	PIN, DOWEL Ø8xØ6.5x14	2	
E29-09	GB.T276 6002-2RZ	BEEP GROOVE BALL BEARING6002-2RZ	1	
E29-10	GB.T 845 ST3.8X8	SCREW, TAPPING ST3.8x8	5	
E29-11	150H-2.03.311	COVER, CRANKCASE	1	
E29-12	157F.03.103	JOINT	1	
E29-13	150H-2.12.108	RUBBER SLEEVE	1	150H-2.12.108 & 150H-2.12.105 SELL TOGETHER
E29-14	150H-2.12.105	AIR INLET	1	
E29-15	GB.T 845 ST4.2X12	SCREW, TAPPING ST4.2x12	1	
E29-20	150H-2.11.323 M6X18	SCREW M6x18	3	
E29-21	GB.T16674.1 M6X80	BOLT, FLANGE M6x80	1	
E29-22	GB.T 16674.1 M6X35	BOLT, FLANGE M6x35	13	
E29-23	150H-2.11.142	BAFFLE	1	
E29-24	153.11.110	BRAKE CLAMP	1	



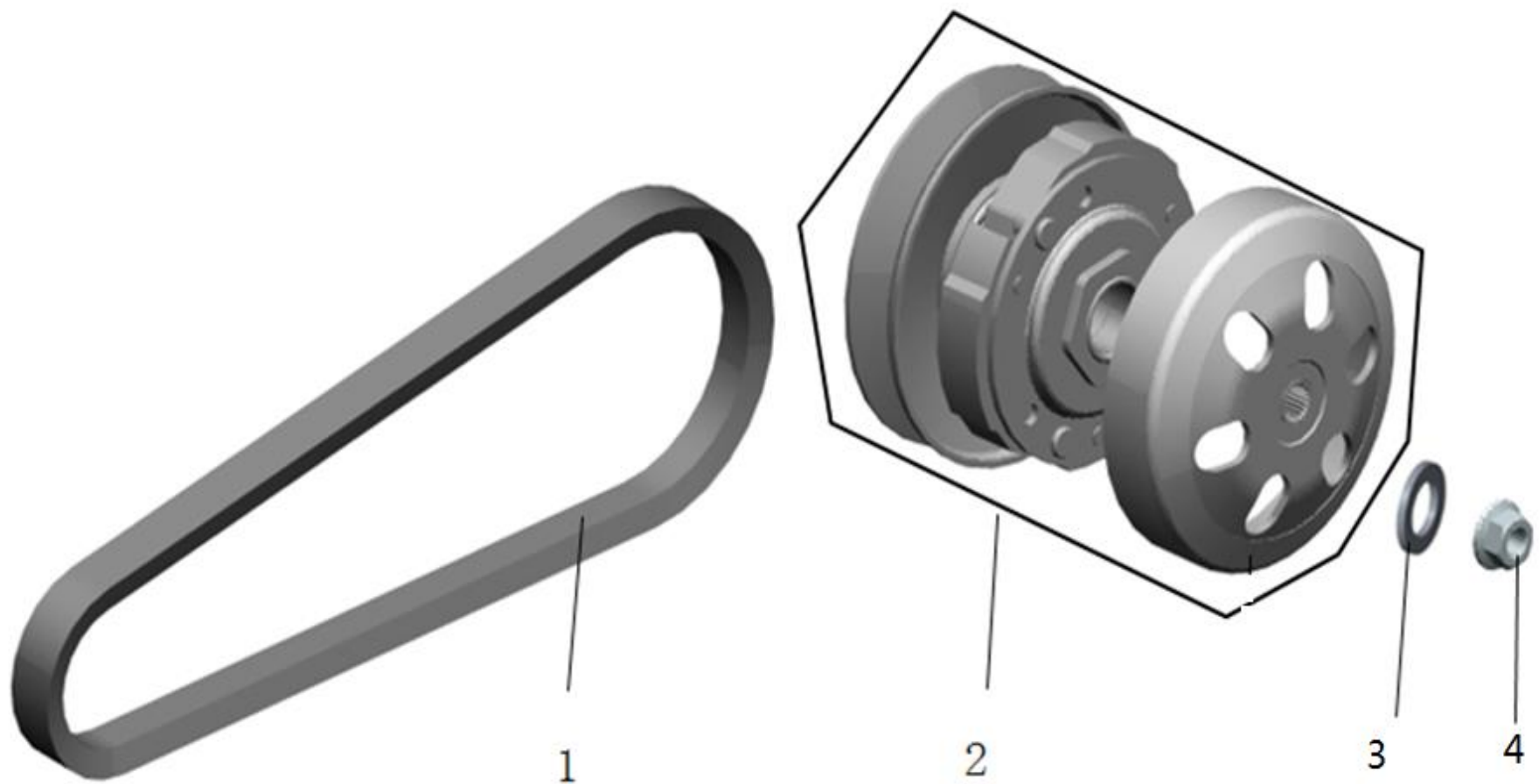
POSITION NO.	CODE	EN DESCRIPTION	QTY/ UNIT	REMARKS
E30-01	150H.10.110	THE DRIVING WHEEL ASSEMBLY	1	
E30-01-1	150H.10.110-1-A	RAMP BUFFER (3PCS/SET)	1	SELL IN SET
E30-02	150H.10.113-A	WEIGHT (6PCS/SET)	1	SELL IN SET
E30-03	150H.06.760	FOOT STARTER RATCHET	1	
E30-04	150H.11.823	WASHER, PLATE Ø14xØ23x2.3	1	
E30-05	150H.11.304 M14X1.5	NUT M14x1.5	1	

E31 KICK STARTER



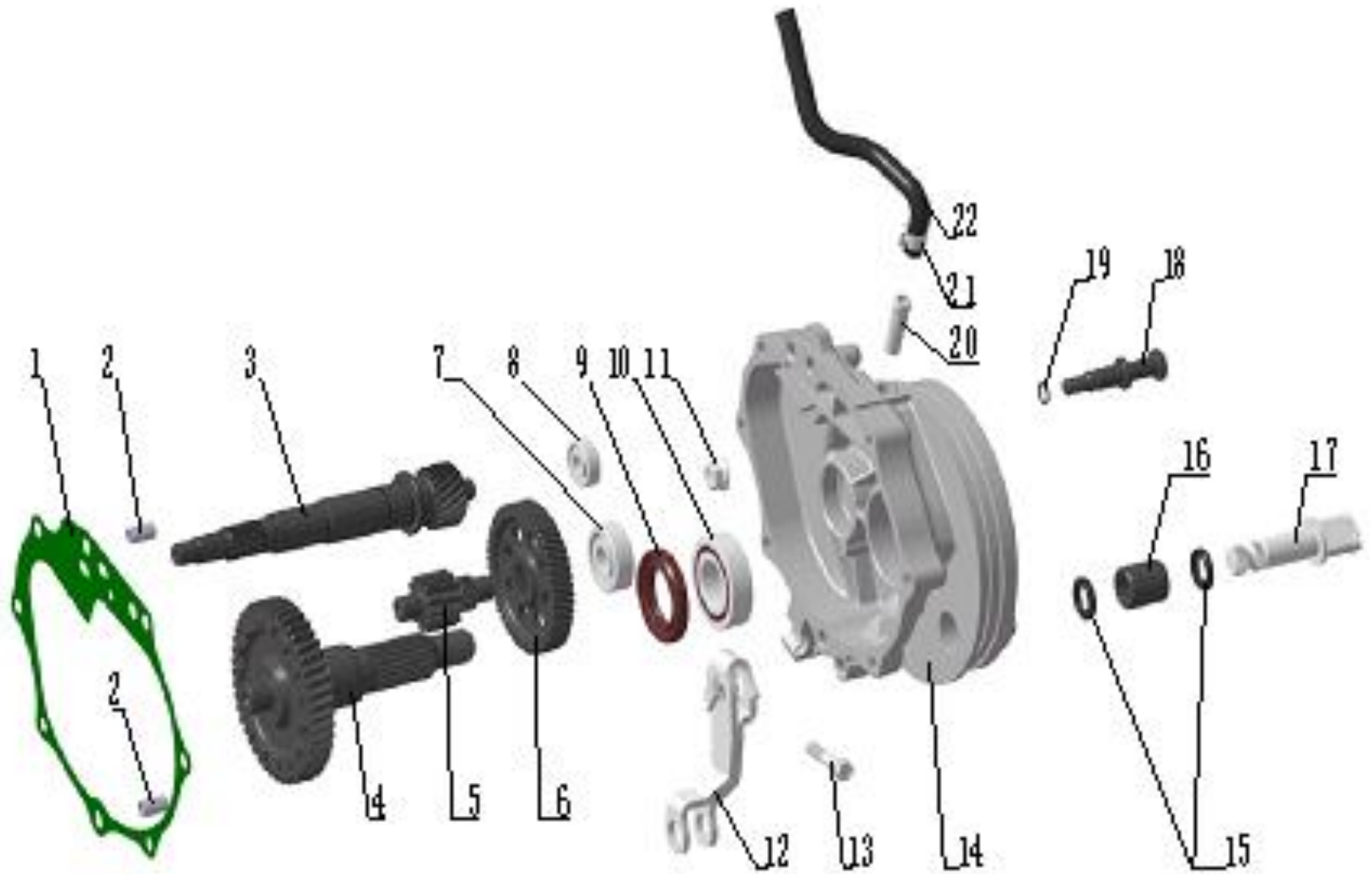
POSITION NO.	CODE	EN DESCRIPTION	QTY/ UNIT	REMARKS
E31-01	150H.06.650	STARTING CLAW FOOT ASSY	1	
E31-02	150H.11.825	WASHER, PLATE Ø10.2xØ18x1	1	
E31-03	150H.06.510.01	STARTING SHAFT ASSEMBLY LONGER	1	
E31-04	139.06.514	FOOT NYLON POUCHES START	1	
E31-05	150-B.06.513	START RETURN SPRING	1	
E31-06	150H.11.826 14X21X2	WASHER, PLATE Ø14xØ21x2	1	
E31-07	GB.T 894.1 M14	RETAINING RING Ø14	1	
E31-08	GB.T 5789 M6X25	BOLT M6x25	1	
E31-09	150-B.06.410B	STARTING SHAFT	1	

E32 DRIVEN PULLEY



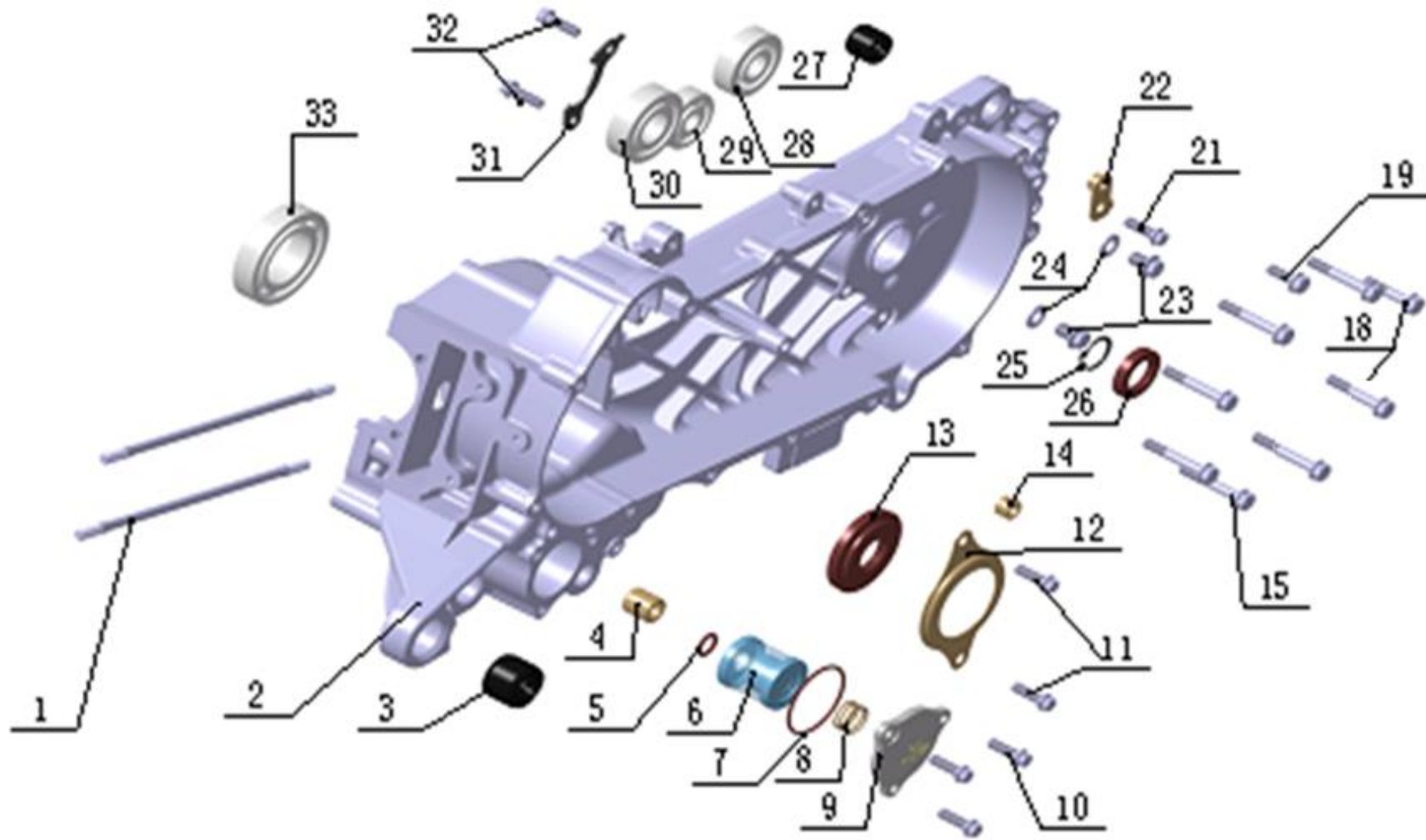
POSITION NO.	CODE	EN DESCRIPTION	QTY/ UNIT	REMARKS
E32-01	150-B.10.310	V-BELT	1	
E32-02	150H.10.210	CLUTCH AND DRIVEN COMPONENT	1	
E32-03	150H.11.824	WASHER, PLATE Ø12.2xØ29x2.5	1	
E32-04	GB.T 6177.2 M12X1.25	NUT M12x1.25	1	

E33 TRANSMISSION



POSITION NO.	CODE	EN DESCRIPTION	QTY/ UNIT	REMARKS
E33-01	150H-2.12.305	GASKET,GEAR COVER	1	
E33-02	152.11.506 8X6.5X14	PIN, DOWEL Ø8xØ6.5x14	2	
E33-03	150H-2.10.411	GEAR, PRIMARY DRIVE	1	
E33-04	150H-2.10.450	AXLE, DRIVE	1	
E33-05	150H-2.10.421	VICE-AXIS SET OF SMALL GEAR	1	E33-05 AND E33-06 SELL TOGETHER
E33-06	150H-2.10.422	VICE-AXIS SET OF LARGE GEAR	1	
E33-07	GB.T276 6201.P6	BEARINGS 6201/P6	1	
E33-08	GB.T276 6001	BEARINGS 6001	1	
E33-09	150H-2.12.426	OIL SEAL 29x44x7	1	
E33-10	GB.T276	BEARINGS 60/22-2RS	1	
E33-11	GB.T 6177.1 M8	NUT M8	1	
E33-12	150H-2.10.917	LEVER, CAMSHAFT	1	
E33-13	GB.T 5789 M6X32	BOLT, FLANGE M6x32	1	
E33-14	150H-2.03.501	GEAR COVER	1	
E33-15	152-8.12.106	OIL SEAL 14x20x3.2	2	
E33-16	150H-2.11.124	COLLAR, WHEEL	1	
E33-17	150H-2.10.915	BRAKE ROCKER SHAFT	1	
E33-18	152-8.11.102	PIN, PIVOT	1	
E33-19	152.12.504 7.5X1.5	O-RING 7.5x1.5	1	
E33-20	150-B.04.312	MOUTH VENTILATION	1	
E33-21	QC.T621	CLIP TUBE 11	1	
E33-22	150H-2.12.159	TUBE BREA TEHER	1	

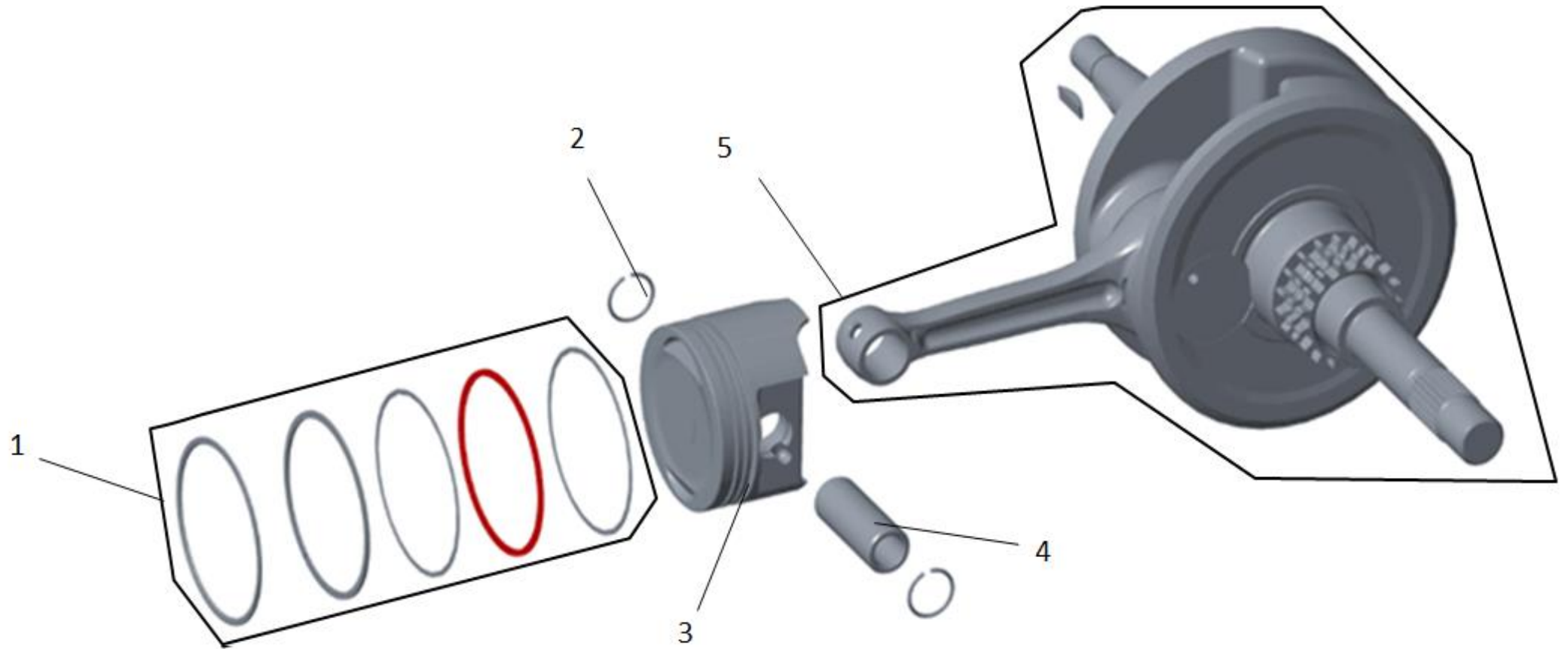
E34 LEFT CRANKEASE



POSITION NO.	CODE	EN DESCRIPTION	QTY/ UNIT	REMARKS
E34-01	150H.11.212 M7X198.5	BOLT, STUD M7×198.5	2	
E34-02	150H-2.03.111	LEFT CRANKCASE	1	
E34-03	152.12.104	BUSH, REAR SHOCK ABSORBER	1	
E34-04	150H-2.03.614	BUSHING	1	
E34-05	139-3.12.506	O-RING 10.5×2.5	1	

POSITION NO.	CODE	EN DESCRIPTION	QTY/ UNIT	REMARKS
E34-06	139-3.09.513	OIL FILTER	1	
E34-07	139-3.09.514	COMPRESSION SPRING	1	
E34-08	150H.12.532 42X2	O-RING 42x2	1	
E34-09	150H.03.415	OIL FILTER CAP	1	
E34-10	GB.T16674.1 M6X20	BOLT, FLANGE M6x20	3	
E34-11	GB.T 5789 M6X16	BOLT, FLANGE M6x16	2	
E34-12	150-B.11.137	OIL SEAL PLATE	1	
E34-13	150-B.12.427	OIL SEAL 20.8x53x6/9	1	
E34-14	139.06.221 8X12X9	BUSH 8x12x9	1	
E34-15	GB.T 5789 M6X40	BOLT, FLANGE M6x40	7	
E34-18	GB.T 5789 M6X30	BOLT, FLANGE M6x30	2	
E34-19	GB.T 5789 M6X16	BOLT, FLANGE M6x16	1	
E34-21	GB.T 5789 M6X16	BOLT, FLANGE M6x16	1	
E34-22	150H-2.11.120	BRACKET	1	
E34-23	GB.T16674.1 M8X12	BOLT, FLANGE M8x12	2	
E34-24	139.11.810 8X15X1.5	WASHER, PLATE Ø8xØ 15x1.5	2	
E34-25	GB.T 894.1	RING 20	1	
E34-26	152.12.102 20X32X6	OIL SEAL 20x32x6	1	
E34-27	152.12.105	BUSH, REAR SHOCK ABSORBER	1	
E34-28	GB.T 276 6302	BEARINGS 6302	1	
E34-29	GB.T 276 6301	BEARINGS 6301	1	
E34-30	GB.T 276 6204.C3	BEARINGS 6204/C3	1	
E34-31	150H-2.11.112	PLATE	1	
E34-32	GB.T 5789 M6X14	BOLT, FLANGE M6x14	1	
E34-33	150H.03.120 6007.P53	BEARINGS 6007/P53	1	

E35 CRANKSHAFT,PISTON



POSITION NO.	CODE	EN DESCRIPTION	QTY/ UNIT	REMARKS
E35-01	150H.01.302	PISTON RING GROUP	1	
E35-02	139.01.313	CIRCLIP	2	
E35-03	150H.01.311	PISTON	1	
E35-04	150H.01.312	PIN, PISTON	1	
E35-05	150H.01.110	CRANKSHAFT ASSY	1	